

# SPECIFICATION SHEET

## PRODUCT # : CL-503-NM

• Directional Lights

• Composite

### Fixture Specifications:

**Housing:** Injection molded fiberglass for high UV stability

**Finish:** BK-Black

**Lens:** Clear, Tempered, and heat resistant glass.

**Socket:** Top grade fixed ceramic bi-pin socket with retension clip to securely hold the lamp in place.

**Lamp:** 12V, MR-16, 35W max.  
Available in LED (3.5W & 5W) or without lamp.  
See the Lamp Guide below for more information.

**Wiring:** Fixture is prewired with a 3ft 18-2 SPT1-W direct burial cord. Wire connector sold separately. Universal connector (CX-839) and silicone filled wire nut (CX-854) are available from Corona Lighting.

**Gasket:** Silicone gasket providing weather tight protection.

**Knuckle:** Adjustable Injection molded fiberglass knuckle with philips shaped screw and 1/2" NPT threaded male hub on bottom

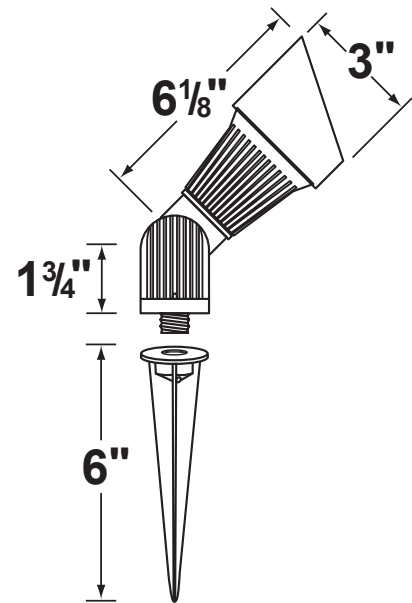
**Mounting Spike:** 8" Black ABS spike with 1/2" NPT threaded female hub.

**Electrical Notes:** A remote 12V transformer is required. Options are available from Corona Lighting. Voltage range for LED lamps are 9V-17V. Proper grease/lubricant is suggested on threaded parts during installation process.

**Warranty:** One (1) year warranty on fixture housing against Manufacturer's defects.



3.5W and 5W



### AVAILABLE LED LAMPS (Corona LED lamps have a five (5) year limited warranty against manufacturer's defects)

LAMP NUMBER	WATTS	BEAM		COLOR & TEMP.	RATED HOURS	HALOGEN EQUIVALENT
		SPREAD	LUMEN			
L-ED16-3W-SP	3.5	15° Spot	270	2700K	50,000	25 Watt
L-ED16-3W-FL	3.5	45° Flood	270	2700K	50,000	25 Watt
L-ED16-3W-WF	3.5	60° Wide Flood	270	2700K	50,000	25 Watt
L-ED16-5W-SP	5	15° Spot	350	2700K	50,000	40 Watt
L-ED16-5W-FL	5	45° Flood	350	2700K	50,000	40 Watt
L-ED16-5W-WF	5	60° Wide Flood	350	2700K	50,000	40 Watt
L-ED16-COB5W-SP	5	15° Spot	450	2700K	50,000	50 Watt
L-ED16-COB5W-FL	5	38° Flood	450	2700K	50,000	50 Watt
L-ED16-COB5W-WF	5	60° Wide Flood	450	2700K	50,000	50 Watt
L-ED16-COB5W-SP3K	5	15° Spot	470	3000K	50,000	50 Watt
L-ED16-COB5W-FL3K	5	38° Flood	470	3000K	50,000	50 Watt
L-ED16-COB5W-WF3K	5	60° Wide Flood	470	3000K	50,000	50 Watt

Single color MR-16 LED available in AMBER, BLUE, GREEN, PURPLE, RED and VIOLET

### JOB INFORMATION

TYPE: DATE:

JOB NAME & ADDRESS:

PRODUCT #:

TOTAL QUANTITY:

LAMP TYPE & WATTAGE:

TRANSFORMER:

CONTRACTOR:

SPECIFIER:

• When ordering LED lamp with a fixture your part number should follow the format below:

• CL - product # - lamp - wattage - lamp angle

CL - 503-NM - L-ED16 - 5W - FL

Example: CL-503-NM-L-ED16-5W-FL

• Corona Lighting reserves the right to make any change and/or improvement to the design and construction of this fixture without further notification.

# ACCESSORIES SHEET

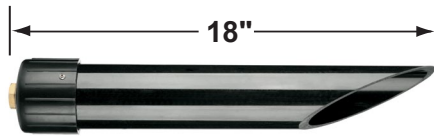
## PRODUCT # : CL-503-NM

### • Directional Lights

### • Composite

#### Mounting Pedestals

- CX-601-BK 1" PVC Mounting Pedestal, ½" NPT, **Black**
- CX-601-VG 1" PVC Mounting Pedestal, ½" NPT, **Verde Green**
- CX-603-BK 3" PVC Mounting Pedestal, ½" NPT Female Brass Hub on top, **Black**
- CX-603-VG 3" PVC Mounting Pedestal, ½" NPT Female Brass Hub on top, **Verde Green**



**CX-603-BK**

- CX-604-BK 1" PVC Adjustable Mounting Pedestal, ½" NPT, **Black**
- CX-621-BK 1" PVC Cap, ½" NPT, **Black**
- CX-621-VG 1" PVC Cap, ½" NPT, **Verde Green**
- CX-622-BK 2" PVC Cap, ½" NPT, **Black**
- CX-622-VG 2" PVC Cap, ½" NPT, **Verde Green**
- CX-624-BK 3" PVC Cap, ½" NPT Female Brass Hub, **Black**
- CX-624-VG 3" PVC Cap, ½" NPT Female Brass Hub, **Verde Green**



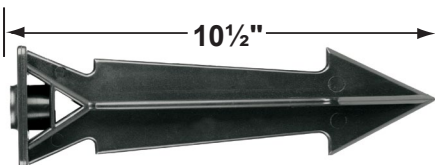
**CX-703-BK**



**CX-722-BK**

#### Ground Spikes

- CX-642-BK 8.5" ABS Spike, ½" NPT, **Black**
- CX-642-BZ 8.5" ABS Spike, ½" NPT, **Bronze**
- CX-643-BZ 8.5" ABS Spike, ½" NPT, **Bronze**



**CX-647-BK**

- CX-646-BK 8" ABS Spike, ½" NPT, **Black**
- CX-646-BR 8" ABS Spike, ½" NPT, **Natural Brass**
- CX-646-SS 8" ABS Spike, ½" NPT, **Stainless Steel**
- CX-647-BK 10.5" Heavy Duty ABS Spike, ½" NPT, **Black**

#### Mounting Canopies

- CX-701-BK Aluminum Round Canopy, ½" NPT, **Black**
- CX-702-BK Aluminum Rectangular Canopy, ½" NPT, **Black**
- CX-703 Aluminum tree mount canopy ½" NPT  
Finishes: **BK- Black, BZ- Bronze, GR- Green, GT- Granite, RT- Rust, VG- Verde Green, WH- White**
- CX-720 Aluminum Tree mount Canopy with 9" Rubber Strap stretches to 14"  
Finishes: **BK- Black, BZ- Bronze, GR- Green, GT- Granite, RT- Rust, VG- Verde Green, WH- White**
- CX-721 Aluminum Tree mount Canopy with 15" Rubber Strap stretches to 22"  
Finishes: **BK- Black, BZ- Bronze, GR- Green, GT- Granite, RT- Rust, VG- Verde Green, WH- White**
- CX-722 Aluminum Tree mount Canopy with 22" Rubber Strap stretches to 33"  
Finishes: **BK- Black, BZ- Bronze, GR- Green, GT- Granite, RT- Rust, VG- Verde Green, WH- White**
- CX-723 Aluminum Tree mount Canopy with 31" Rubber Strap stretches to 45"  
Finishes: **BK- Black, BZ- Bronze, GR- Green, GT- Granite, RT- Rust, VG- Verde Green, WH- White**
- CX-724 Aluminum Tree mount Canopy with 41" Rubber Strap stretches to 61"  
Finishes: **BK- Black, BZ- Bronze, GR- Green, GT- Granite, RT- Rust, VG- Verde Green, WH- White**

#### Mounting Risers

- CX-671 6" Aluminum Riser, ½" NPT Male/Female  
Finishes: **BK- Black, BZ- Bronze, GR- Green, GT- Granite, RT- Rust, VG- Verde Green, WH- White**
- CX-672 12" Aluminum Riser, ½" NPT Male/Female  
Finishes: **BK- Black, BZ- Bronze, GR- Green, GT- Granite, RT- Rust, VG- Verde Green, WH- White**
- CX-673 18" Aluminum Riser, ½" NPT Male/Female  
Finishes: **BK- Black, BZ- Bronze, GR- Green, GT- Granite, RT- Rust, VG- Verde Green, WH- White**



**CX-671-BK 6"**



**CX-672-BK 12"**



**CX-673-BK 18"**

# ACCESSORIES SHEET

## PRODUCT # : CL-503-NM

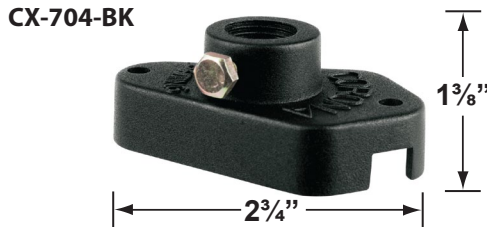
•Directional Lights

•Composite

### Mounting Brackets

CX-700 Aluminum Bracket with 1/2" NPT  
Finishes: **BK**- Black, **BZ**- Bronze, **GR**- Green,  
**GT**- Granite, **RT**- Rust, **VG**- Verde Green,  
**WH**- White

CX-704 Aluminum Oval Bracket with 1/2" NPT Female Hub  
Finishes: **BK**- Black, **BZ**- Bronze, **GR**- Green,  
**GT**- Granite, **RT**- Rust, **VG**- Verde Green,  
**WH**- White



### Special Lenses & Honeycomb Louvers

- CX-238 MR-16 Snap-on holder, **Silver Plated**
- CX-239 MR-16 honeycomb louver, **Black**
- CX-240-AM MR-16 color lens, **Amber**
- CX-240-BL MR-16 color lens, **Blue**
- CX-240-GR MR-16 color lens, **Green**
- CX-240-RD MR-16 color lens, **Red**
- CX-240-YL MR-16 color lens, **Yellow**
- CX-241 MR-16 lens, **Linear Spread**
- CX-242 MR-16 lens, **Frosted**
- CX-243 MR-16 lens, **Prismatic**

•For MR-16 Lenses and Louvers, you will need the CX-238



### Cable Connectors

- CX-854 Direct Burial Silicone Filled Wire Nut, **Tan**
- CX-858 Speedy Cable Connector, Supply Cable up to 10-2, **Black**
- CX-839 Universal cable connector, Supply cable up to 8-2,  
one/Pack **Black**

