

SPECIFICATION SHEET

PRODUCT # : CL-226-SS

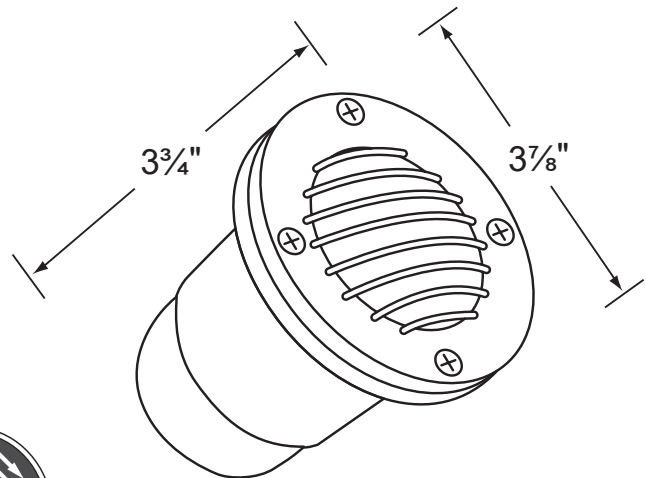
• Well Lights

• 316 Marine Grade Stainless Steel

Fixture Specifications:

Housing: Solid Stainless Steel.
Finish : **SS- Stainless Steel**, Faceplate process. Also available in **AB** finish.
Lens: Clear, tempered and heat resistant convex glass. Extra flat lens included.
Socket: Top grade ceramic bi-pin socket with retention clip.
Lamp: 12V, MR-16, 35W max. Available in LED (3.5W & 5W) or without lamp. See the Lamp Guide below for more information.
Gasket: Silicone "0" ring seals faceplate to housing providing weather tight protection.

Wiring: Fixture is prewired with a 3-ft 18-2 SJT-W direct burial cord. Wire connector available separately. Silicone filled wire nut (**CX-854**) or quick-locking wire connector (**CX-LOC**) may be ordered to Corona Lighting.
Mounting: In-ground direct burial or concrete encasement.
Electrical Notes: A remote 12V transformer is required. Options are available from Corona Lighting. Voltage range for LED lamps are 9V-17V. Proper grease/lubricant is suggested on threaded parts during installation process.
Warranty: Limited lifetime warranty on stainless steel fixture against manufacturer's defects.



3.5W and 5W

AVAILABLE LED LAMPS (Corona LED lamps have a five (5) year limited warranty against manufacturer's defects)

LAMP NUMBER	WATTS	BEAM		COLOR & TEMP.	RATED HOURS	HALOGEN EQUIVALENT
		SPREAD	LUMEN			
L-ED16-3W-SP	3.5	15° Spot	270	2700K	50,000	25 Watt
L-ED16-3W-FL	3.5	45° Flood	270	2700K	50,000	25 Watt
L-ED16-3W-WF	3.5	60° Wide Flood	270	2700K	50,000	25 Watt
L-ED16-5W-SP	5	15° Spot	350	2700K	50,000	40 Watt
L-ED16-5W-FL	5	45° Flood	350	2700K	50,000	40 Watt
L-ED16-5W-WF	5	60° Wide Flood	350	2700K	50,000	40 Watt
L-ED16-COB5W-SP	5	15° Spot	450	2700K	50,000	50 Watt
L-ED16-COB5W-FL	5	38° Flood	450	2700K	50,000	50 Watt
L-ED16-COB5W-WF	5	60° Wide Flood	450	2700K	50,000	50 Watt
L-ED16-COB5W-SP3K	5	15° Spot	470	3000K	50,000	50 Watt
L-ED16-COB5W-FL3K	5	38° Flood	470	3000K	50,000	50 Watt
L-ED16-COB5W-WF3K	5	60° Wide Flood	470	3000K	50,000	50 Watt

■ Single color MR-16 LED available in AMBER, BLUE, GREEN, PURPLE, RED and VIOLET

JOB INFORMATION

TYPE: _____ DATE: _____
 JOB NAME & ADDRESS: _____
 PRODUCT #: _____
 TOTAL QUANTITY: _____
 LAMP TYPE & WATTAGE: _____
 TRANSFORMER: _____
 CONTRACTOR: _____
 SPECIFIER: _____

• When ordering LED lamp with a fixture your part number should follow the format below:

• CL - **product #** - **lamp** - **wattage** - **lamp angle**
 CL - 226-SS - L-ED16 - 5W - FL

Example: CL-226-SS-L-ED16-5W-FL

• Corona Lighting reserves the right to make any change and/or improvement to the design and construction of this fixture without further notification.

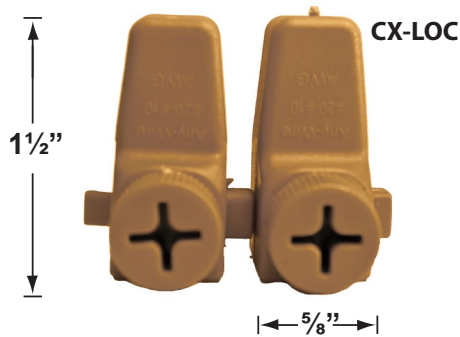
PRODUCT # : CL-226-SS

• Well Lights

• 316 Marine Grade Stainless Steel

Cable Connectors

- CX-854 Direct Burial Silicone Filled Wire Nut, **Tan**
- CX-858 Speedy Cable Connector, Supply Cable up to 10-2, **Black**
- CX-839 Universal cable connector, Supply cable up to 8-2, one/Pack **Black**
- CX-LOC Quick-Locking Silicone Filled Wire Connector, 25 Sets (50 per Pack)



Special Lenses & Honeycomb Louvers

- CX-238 MR-16 Snap-on holder, **Silver Plated**
- CX-239 MR-16 honeycomb louver, **Black**
- CX-240-AM MR-16 color lens, **Amber**
- CX-240-BL MR-16 color lens, **Blue**
- CX-240-GR MR-16 color lens, **Green**
- CX-240-RD MR-16 color lens, **Red**
- CX-240-YL MR-16 color lens, **Yellow**
- CX-241 MR-16 lens, **Linear Spread**
- CX-242 MR-16 lens, **Frosted**
- CX-243 MR-16 lens, **Prismatic**

For MR-16 Lenses and Louvers, you will need the CX-238

