

CL-219-SI

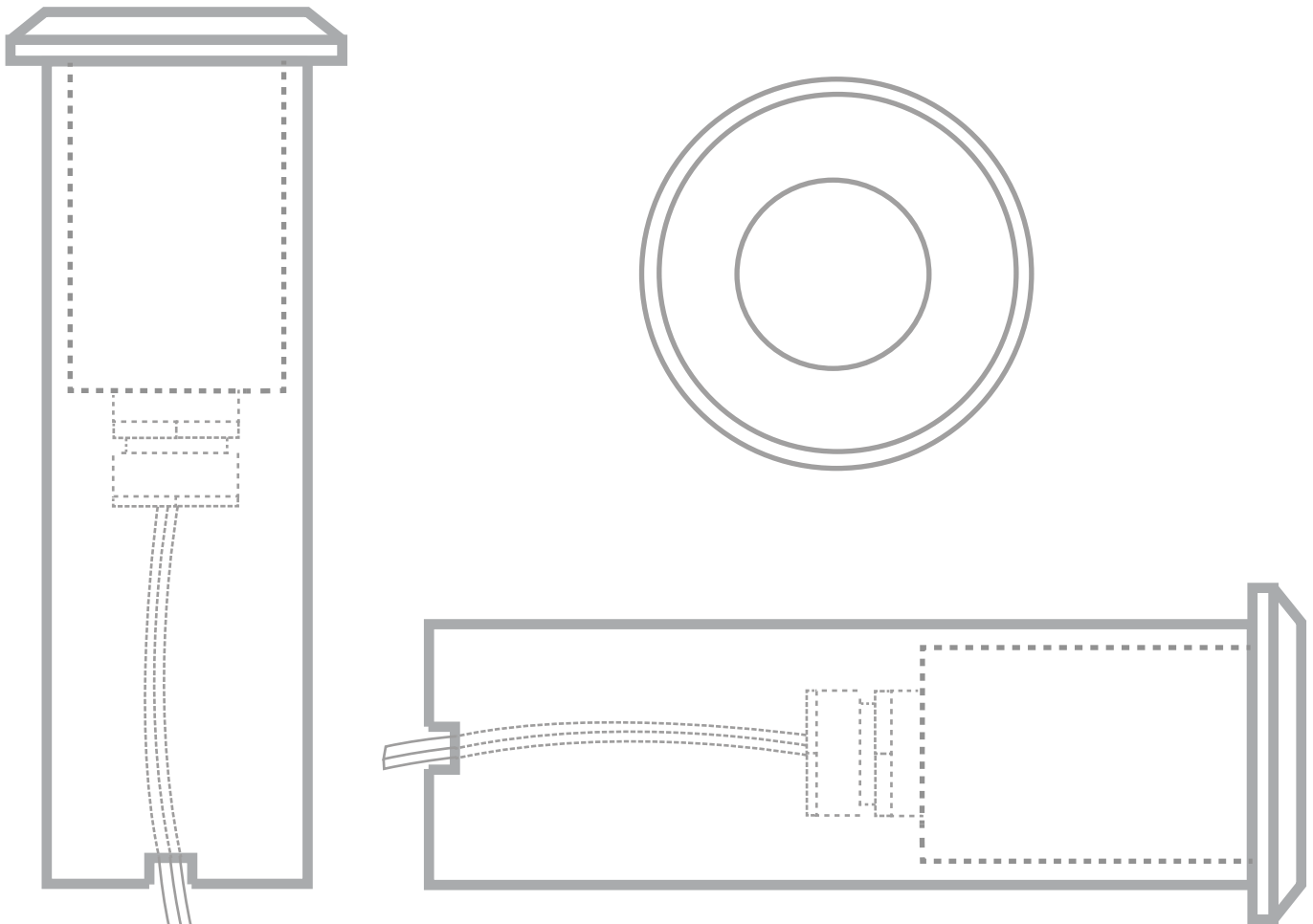
SPECIFICATION SHEETS

Fixture Configurations

Down Light2

Well Light3

Step Light4



SPECIFICATION SHEET

PRODUCT # : CL-219-SI

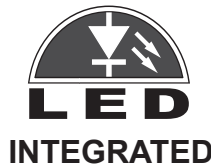
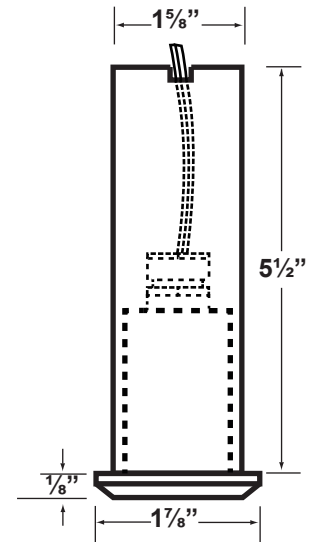
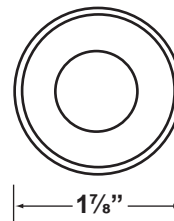
• Down Lights

• Cast Brass

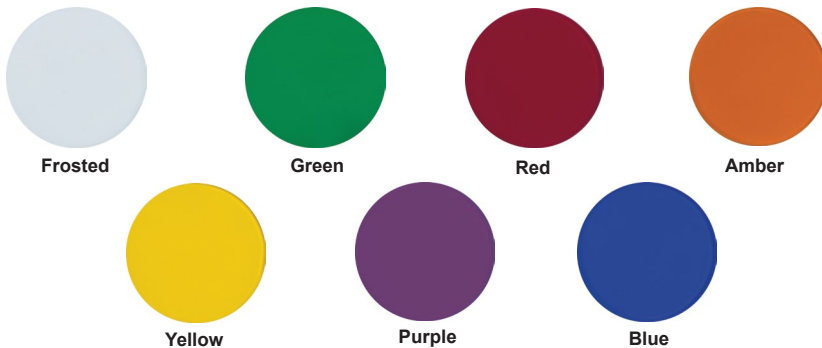
Fixture Specifications:

- Housing:** Heavy duty corrosion resistant cast brass with PVC sleeve.
- Faceplate:** Cast brass flat shape, fitted to housing with silicone "O" ring gasket.
- Finish:** **SI- Silver plated.** Natural toning process.
AB- Antique Bronze, or **GM-** Gun Metal available.
- Lens:** Clear and heat resistant tempered flat glass.
- Lighting Source:** Integrated CREE LED module, 3 watt, 210 lumens 120° beam spread, 3000K, 20W halogen equivalent. Rated hours: 30,000.
- Wiring:** Fixture is prewired with a 18-2 20ft SPT-1W direct burial cord, pre-stripped for easy connection. Wire connector sold separately. Universal connector (**CX-839**), and silicone filled wire nut (**CX-854**) are available from Corona Lighting.
- Gasket:** Silicone "O" ring, seals faceplate to housing, providing weather tight protection.

- Mounting:** Recessed flush mount. Best used in concrete, brick, or other masonry surface.
- Electrical Notes:** Integrated CREE LED module is dimmable. A remote 12V magnetic transformer is required. Options are available from Corona Lighting. Not for use with electronic transformers. Voltage range for LED module is 8-18 Volt AC. Ambient Temperature: -4°F to 104°F. CRI: Ra > 80 Proper grease/lubricant is suggested on threaded parts during installation process.
- Applications:** Ceilings, eaves, patio covers, or any place where a tiny recessed fixture may fit.
- Warranty:** Limited lifetime warranty on fixture housing and faceplate against manufacturer's defects. Ten (10) year warranty on LED modules and components.



DESIGNER COLOR LENSES INCLUDED WITH THIS FIXTURE:



NOTE: Install additional O-ring (supplied) when color lenses are used.

JOB INFORMATION

TYPE: _____ DATE: _____
 JOB NAME & ADDRESS: _____
 PRODUCT #: _____
 TOTAL QUANTITY: _____
 LAMP TYPE & WATTAGE: _____
 TRANSFORMER: _____
 CONTRACTOR: _____
 SPECIFIER: _____

• Corona Lighting reserves the right to make any change and/or improvement to the design and construction of this fixture without further notification.

PRODUCT # : CL-219-SI

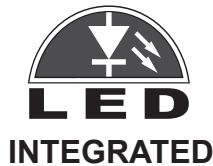
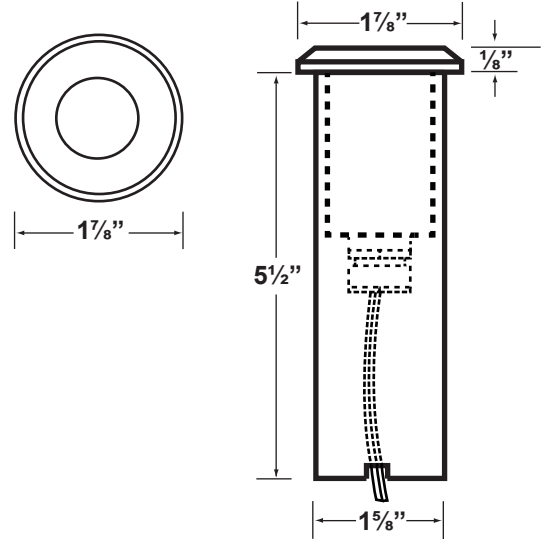
• Well Light

• Cast Brass

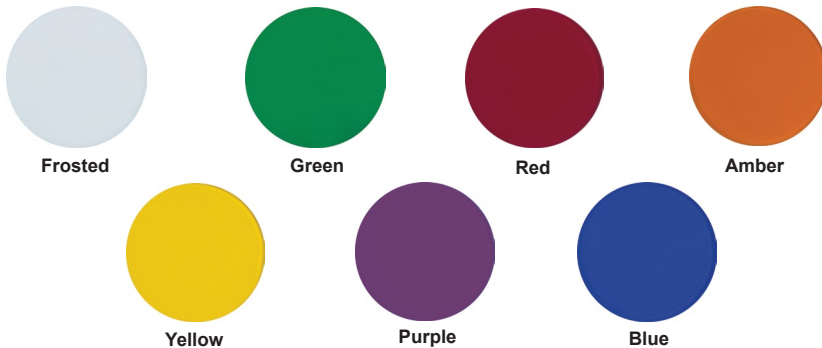
Fixture Specifications:

- Housing:** Heavy duty corrosion resistant cast brass with PVC sleeve.
- Faceplate:** Cast brass flat shape, fitted to housing with silicone "O" ring gasket.
- Finish:** **SI- Silver plated.** Natural toning process.
AB- Antique Bronze, or **GM-** Gun Metal available.
- Lens:** Clear and heat resistant tempered flat glass.
- Lighting Source:** Integrated CREE LED module, 3 watt, 210 lumens 120° beam spread, 3000K, 20W halogen equivalent. Rated hours: 30,000.
- Wiring:** Fixture is prewired with a 18-2 20ft SPT-1W direct burial cord, pre-stripped for easy connection. Wire connector sold separately. Silicone filled wire nut (**CX-854**) is available from Corona Lighting.
- Gasket:** Silicone "O" ring, seals faceplate to housing, providing weather tight protection.

- Mounting:** Recessed flush mount. In-ground direct burial or concrete encasement install. Best used in concrete, brick, or other masonry surfaces.
- Electrical Notes:** Integrated CREE LED module is dimmable. A remote 12V magnetic transformer is required. Options are available from Corona Lighting. Not for use with electronic transformers.
 Voltage range for LED module is 8-18 Volt AC.
 Ambient Temperature: -4°F to 104°F. CRI: Ra > 80
 Proper grease/lubricant is suggested on threaded parts during installation process.
- Applications:** Best used for up lighting, grazing, or backlighting. Install any place where a tiny recessed fixture may fit.
- Warranty:** Limited lifetime warranty on fixture housing and faceplate against manufacturer's defects. Ten (10) year warranty on LED modules and components.



DESIGNER COLOR LENSES INCLUDED WITH THIS FIXTURE:



NOTE: Install additional O-ring (supplied) when color lenses are used.

JOB INFORMATION

TYPE: _____ DATE: _____
 JOB NAME & ADDRESS: _____
 PRODUCT #: _____
 TOTAL QUANTITY: _____
 LAMP TYPE & WATTAGE: _____
 TRANSFORMER: _____
 CONTRACTOR: _____
 SPECIFIER: _____

• Corona Lighting reserves the right to make any change and/or improvement to the design and construction of this fixture without further notification.

SPECIFICATION SHEET

PRODUCT # : CL-219-SI

• Step Lights

• Cast Brass

Fixture Specifications:

- Housing:** Heavy duty corrosion resistant cast brass with PC sleeve.
- Faceplate:** Cast brass flat shape, fitted to housing with silicone "O" ring gasket.
- Finish:** **SI- Silver plated.** Natural toning process. **AB-** Antique Bronze, or **GM-** Gun Metal available.
- Lens:** Clear and heat resistant tempered flat glass.
- Lighting Source:** Integrated CREE LED module, 3 watt, 210 lumens 120° beam spread, 3000K, 20W halogen equivalent. Rated hours: 30,000.
- Wiring:** Fixture is prewired with a 18-2 20ft SPT-1W direct burial cord, pre-stripped for easy connection. Wire connector sold separately. Silicone filled wire nut (**CX-854**) is available from Corona Lighting.
- Gasket:** Silicone "O" ring, seals faceplate to housing, providing weather tight protection.

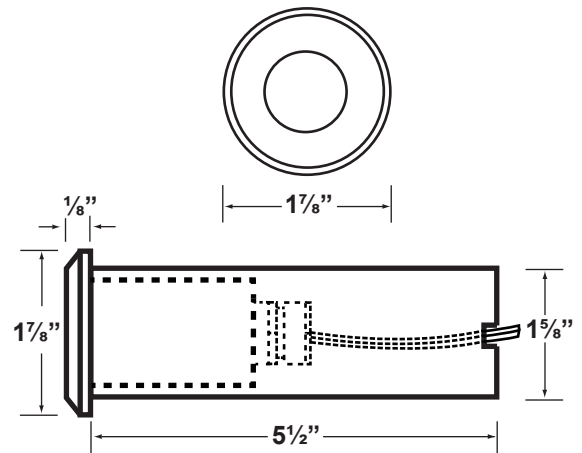
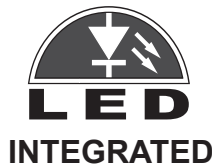
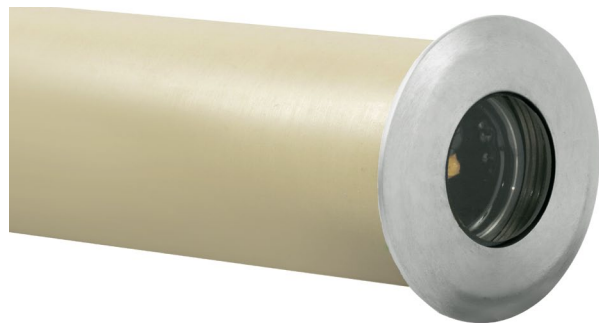
Mounting: Recessed surface or direct burial install. Best used in concrete, brick, or other masonry surfaces.

Electrical Notes: Integrated CREE LED module is dimmable. A remote 12V magnetic transformer is required. Options are available from Corona Lighting. Not for use with electronic transformers. Voltage range for LED module is 8-18 Volt AC. Ambient Temperature: -4°F to 104°F. CRI: Ra > 80 Proper grease/lubricant is suggested on threaded parts during installation process.

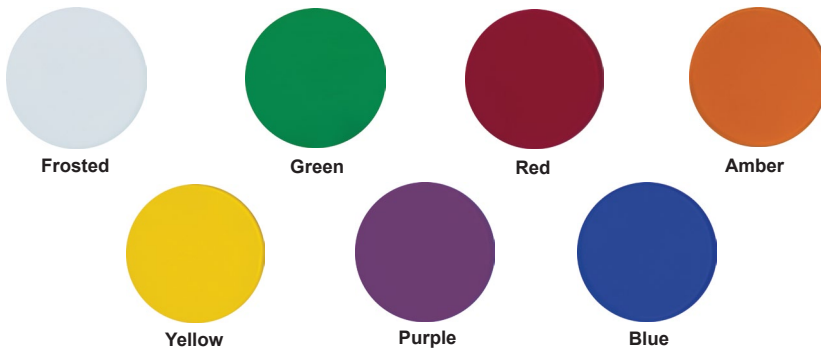
Applications: Seat walls, fountains, steps, ceilings, ponds, patio covers, waterfalls, or any place where a tiny recessed fixture may fit.

DO NOT install in swimming pools, lakes, or spas.

Warranty: Limited lifetime warranty on fixture housing and faceplate against manufacturer's defects. Ten (10) year warranty on LED modules and components.



DESIGNER FILTERS INCLUDED WITH THIS FIXTURE:



NOTE: Must use additional o-ring (included) to ensure filter to work on fixture.

JOB INFORMATION

TYPE: _____ DATE: _____

JOB NAME & ADDRESS: _____

PRODUCT #: _____

TOTAL QUANTITY: _____

LAMP TYPE & WATTAGE: _____

TRANSFORMER: _____

CONTRACTOR: _____

SPECIFIER: _____

• Corona Lighting reserves the right to make any change and/or improvement to the design and construction of this fixture without further notification.