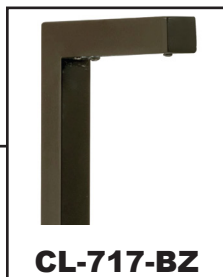


Please read carefully before installation
SAVE THESE INSTRUCTIONS

WWW.CORONALIGHTING.COM

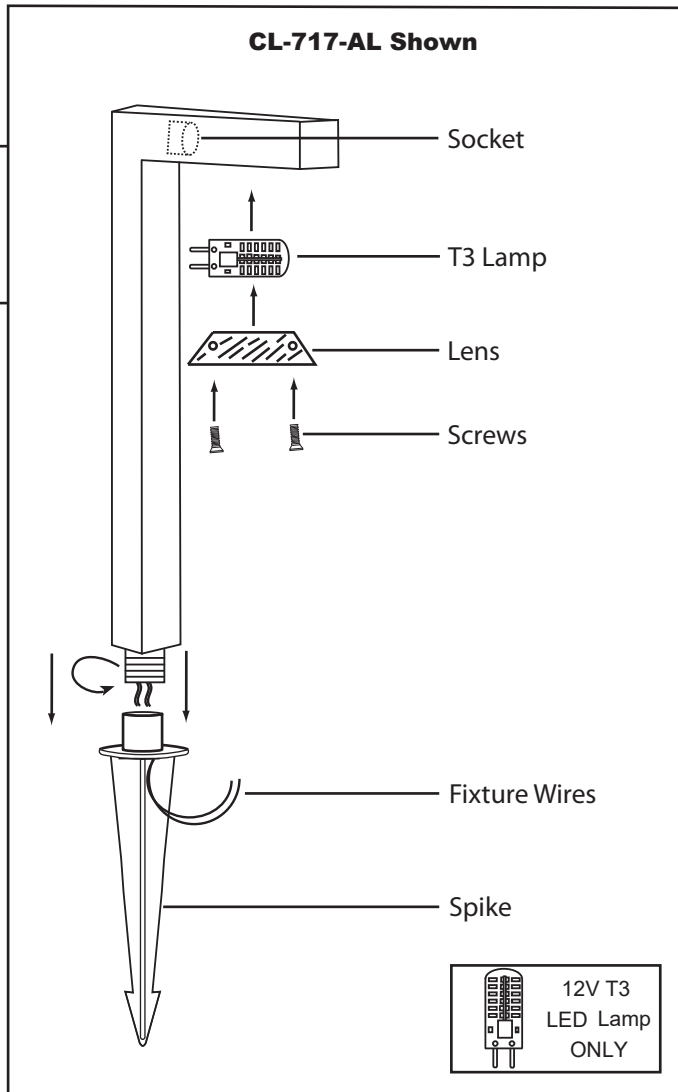
**Path
Lights**



CL-717-BZ



CL-717-BK



Assembly Instructions

- 1- Unsew the two screws securing the glass lens.
- 2- Remove the glass lens to gain access to the socket, to install the T3 lamp.
- 3- Install Lamp: Carefully push bulb pins in socket holes.
- 4- Reseat and secure the glass lens with two screws from Step 1.

INSTRUCTIONS PERTAINING TO A RISK OF FIRE, OR INJURY TO PERSONS

IMPORTANT SAFETY INSTRUCTIONS LIGHTED LAMP IS HOT!

Warning: TO REDUCE THE RISK OF FIRE OR INJURY TO PERSONS:

- Turn off/unplug and allow to cool before replacing lamp.
- Lamp gets HOT quickly! Contact only switch/plug when turning on.
- Do not touch hot lens, guard or enclosure.
- Keep lamp away from materials that may burn.
- Do not touch the lamp at any time. Use a soft cloth. Oil from skin may damage lamp.
- Do not operate the luminaire fitting with a missing or damaged shield

Caution:

Fixture(s) must be installed in accordance with all local codes and ordinances.
 Do not install within 10 feet of a pool, spa or fountain

Installation Instruction

Fixture(s) should be used "ONLY" with low voltage landscape power units that do not exceed 25A, 15V.

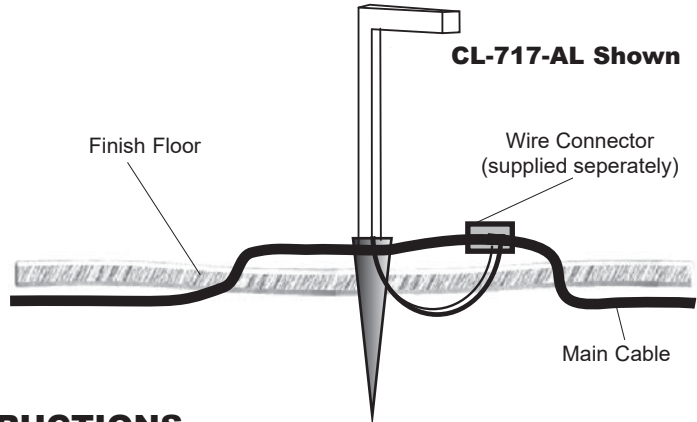
The power units reduce the voltage from 120 volts to 12 volts.

The main cable from power units should be buried for less than 6 inches under the ground level and can be purchased from your local electric supply house

- 1- Attach fixture(s) wires to main cable with cable connector suitable for direct burial.

WARNING: Fixture(s) wires have to be run in close proximity to fixture(s) and not buried more than 3 inches.

- 2- Dig a small hole and insert fixture spike into ground and turn on power unit.



SAVE THESE INSTRUCTIONS

Limited Warranty

Corona Lighting warrants its products to be free of defects in material and workmanship under normal use, when installed in accordance with installation instructions, specifications and accepted trade practices as follows:

- Brass, copper, and stainless steel fixtures: Limited lifetime warranty from date of invoice.
- LED Integrated Fixtures: Ten years warranty from date of invoice.
- Aluminum Fixtures (Architectural Grade): Five years warranty from date of invoice.
- Composite Fixtures (Architectural Grade): Ten years warranty from date of invoice.
- Aluminum & Composite Fixtures (Value Grade): One year warranty from date of invoice.
- LED Lamps: Five years warranty from date of invoice.
- Transformers: Ten years on coils, Lifetime warranty on Stainless Steel enclosure, and one year warranty on timers, photocells, and accessories; from date of invoice.

This warranty excludes:

1. Products not used in accordance with directions specified in installation instructions and subject to unauthorized repair.
2. Damages caused by accident, altercation, misuse, abuse and exceeding the cost of product.
3. Costs incurred in shipment, repair, replace, remove or install of product by buyer and others.

Other Conditions:

- Corona Lighting reserves the right to issue credit, repair or replace the defective product at our option upon receipt of written notification by original buyer of the alleged defect. Corona Lighting assumes no responsibility for improper installation of the product and shall not be liable for any incidental or consequential damages resulting from use of this product.
- Corona Lighting does not authorize any other warranty, verbal or written except as described here.
- Corona Lighting reserves the right to make any changes to its products without prior notice.

Visit Coronalighting.com for additional information on these and other products.

Corona Lighting, Inc. ; Los Angeles, California