



WWW.CORONALIGHTING.COM

## Slim Brick Lights

# ASSEMBLY/INSTALLATION INSTRUCTION

Please read carefully before installation

SAVE THESE INSTRUCTIONS



**CL-366**  
BK, BZ, RT, WH, AB, GM, OC, SI, RC



**CL-367**  
BK, BZ, RT, WH, AB, GM, OC, SI, RC

### Assembly Instructions

1- All fixtures are designed for recessed mounting.

Install back box housing in desired location, and make sure the two side-installing brackets are hidden behind the finished desired location.

2- Install bulbs into the sockets.

3- Pass main cable through one of the knockouts on back box and splice it to fixture wires.

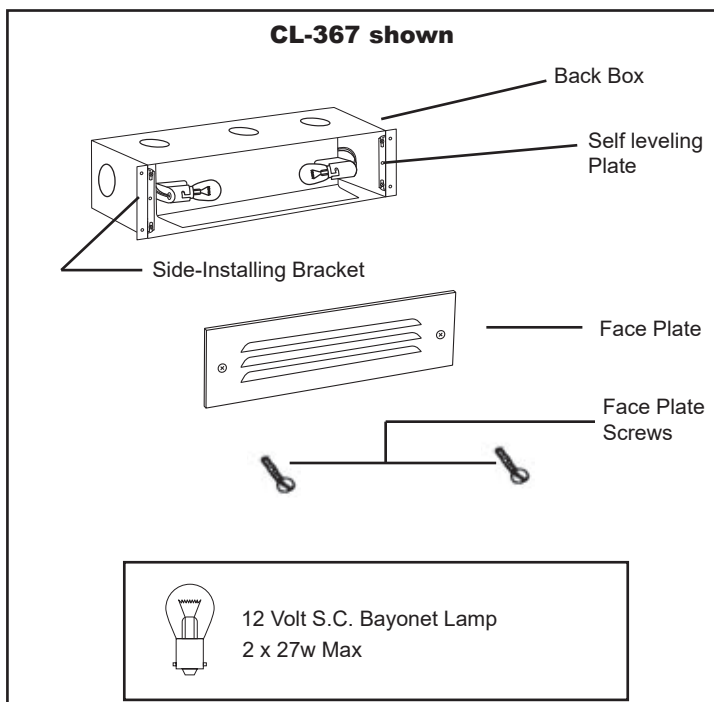
4- Align mounting holes of face plate with 2 holes on self leveling plates and then attach the face plate to back box with 2 mounting screws supplied.

## Important Note:

During installation of back box, make sure both side installing brackets are covered by concrete/brick completely. Otherwise, faceplates will not cover them.

### Caution:

Fixture(s) must be installed in accordance with all local codes and ordinances. Do not install within 10 feet of a pool, spa or fountain.



### Installation Instruction

Fixture(s) should be used **"ONLY"** with low voltage landscape power units that do not exceed 25A, 15V.

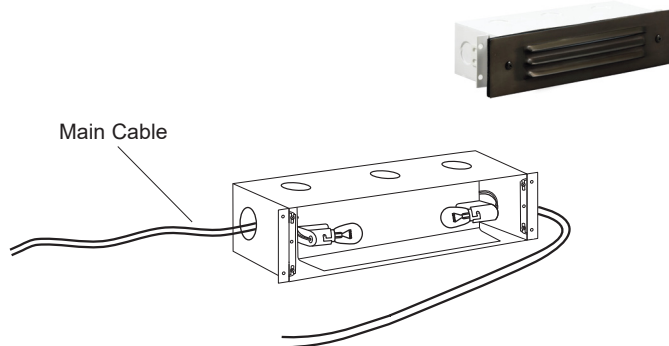
The power units reduce the voltage from 120 volts to 12 volts.

The main cable from power units should be buried for less than 6 inches under the ground level and can be purchased from your local electric supply house.

1. Attach fixture(s) wires to main cable with a cable connector suitable for direct burial. Then turn on power unit.

**Warning:** Fixture(s) wires have to be run in close proximity of fixture(s) and not buried more than 3 inches.

### CL-367B-GM shown



SAVE THESE INSTRUCTIONS

## Limited Warranty

Corona Lighting warrants its products to be free of defects in material and workmanship under normal use, when installed in accordance with installation instructions, specifications and accepted trade practices as follows:

- Brass, copper, and stainless steel fixtures: Limited lifetime warranty from date of invoice.
- LED Integrated Fixtures: Ten years warranty from date of invoice.
- Aluminum Fixtures (Architectural Grade): Five years warranty from date of invoice.
- Composite Fixtures (Architectural Grade): Ten years warranty from date of invoice.
- Aluminum & Composite Fixtures (Value Grade): One year warranty from date of invoice.
- LED Lamps: Five years warranty from date of invoice.
- Transformers: Ten years on coils, Lifetime warranty on Stainless Steel enclosure, and one year warranty on timers, photocells, and accessories; from date of invoice.

### This warranty excludes:

1. Products not used in accordance with directions specified in installation instructions and subject to unauthorized repair.
2. Damages caused by accident, altercation, misuse, abuse and exceeding the cost of product.
3. Costs incurred in shipment, repair, replace, remove or install of product by buyer and others.

### Other Conditions:

- Corona Lighting reserves the right to issue credit, repair or replace the defective product at our option upon receipt of written notification by original buyer of the alleged defect. Corona Lighting assumes no responsibility for improper installation of the product and shall not be liable for any incidental or consequential damages resulting from use of this product.
- Corona Lighting does not authorize any other warranty, verbal or written except as described here.
- Corona Lighting reserves the right to make any changes to its products without prior notice.

Visit [Coronalighting.com](http://Coronalighting.com) for additional information on these and other products.

Corona Lighting, Inc. ; Los Angeles, California