

# SPECIFICATION SHEET

## PRODUCT # : CL-741C-T-RC

•Path Lights

•Solid Copper

### Fixture Specifications:

**Housing & Shroud:** Corrosion Resistant Solid Copper.

**Stem:** 24 inch solid copper pipe with 1/2" NPT on bottom.  
18 Inch and 12 inch stems are also available.

**Finish:** RC- Raw Copper. Will age gradually over time.

**Lens:** Clear and heat resistant flat glass.

**Socket:** Top grade loose ceramic bi-pin socket, spring loaded design.

**Lamps:** Two 12V, MR-16, 35W max.  
Available in 2xLED (3.5W & 5W) or without lamps.  
See the Lamp Guide below for more information.

**Gasket:** Silicone double gasketed for water tight sealing

**Knuckle:** Adjustable cast brass knuckle with thumb screw

### Wiring:

Fixture is prewired with a 3ft 18-2 SPT2-W direct burial cord. Wire connector sold separately. Universal connector (CX-839) and silicone filled wire nut (CX-854) are available from Corona Lighting.

### Mounting Spike:

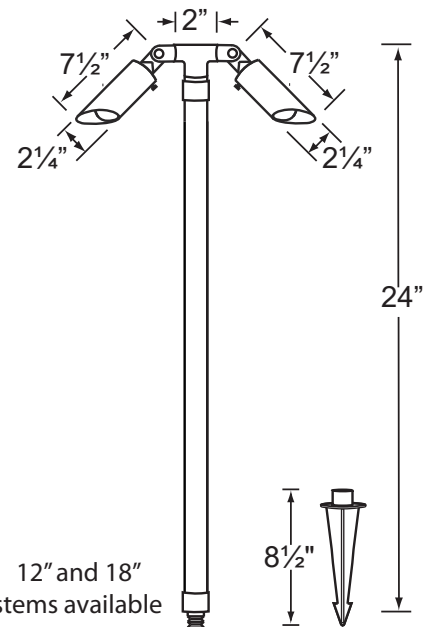
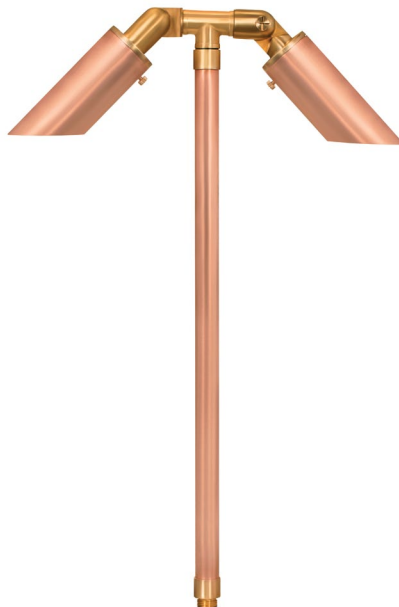
Standard injection molded spike with 1/2" NPT threaded female hub.

### Electrical Notes:

A remote 12V transformer is required. Options are available from Corona Lighting. Voltage range for LED lamps are 9V-17V. Some assembly needed. Proper grease/lubricant is suggested on threaded parts during installation.

### Warranty:

Limited lifetime warranty on fixture housing and stem against manufacturer's defects.



LED  
2x 3.5W & 5W

12" and 18"  
stems available

### AVAILABLE LED LAMPS (Corona LED lamps have a five (5) year limited warranty against manufacturer's defects)

LAMP NUMBER	WATTS	BEAM		COLOR & TEMP.	RATED HOURS	HALOGEN EQUIVALENT
		SPREAD	LUMEN			
L-ED16-3W-SP	3.5	15° Spot	270	2700K	50,000	25 Watt
L-ED16-3W-FL	3.5	45° Flood	270	2700K	50,000	25 Watt
L-ED16-3W-WF	3.5	60° Wide Flood	270	2700K	50,000	25 Watt
L-ED16-5W-SP	5	15° Spot	350	2700K	50,000	40 Watt
L-ED16-5W-FL	5	45° Flood	350	2700K	50,000	40 Watt
L-ED16-5W-WF	5	60° Wide Flood	350	2700K	50,000	40 Watt
L-ED16-COB5W-SP	5	15° Spot	450	2700K	50,000	50 Watt
L-ED16-COB5W-FL	5	38° Flood	450	2700K	50,000	50 Watt
L-ED16-COB5W-WF	5	60° Wide Flood	450	2700K	50,000	50 Watt
L-ED16-COB5W-SP3K	5	15° Spot	470	3000K	50,000	50 Watt
L-ED16-COB5W-FL3K	5	38° Flood	470	3000K	50,000	50 Watt
L-ED16-COB5W-WF3K	5	60° Wide Flood	470	3000K	50,000	50 Watt

■ Single color MR-16 LED available in AMBER, BLUE, GREEN, PURPLE, RED and VIOLET

• When ordering LED lamp with a fixture your part number should follow the format below:

• CL - product # - Length - lamp - wattage - lamp angle

CL - 741C-T-RC - 18 - L-ED16 - 5W - FL

Example: CL-741C-T-RC-18-L-ED16-5W-FL

• Corona Lighting reserves the right to make any change and/or improvement to the design and construction of this fixture without further notification.

### JOB INFORMATION

TYPE:

DATE:

JOB NAME & ADDRESS:

PRODUCT #:

TOTAL QUANTITY:

LAMP TYPE & WATTAGE:

TRANSFORMER:

CONTRACTOR:

SPECIFIER:

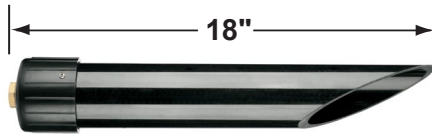
**PRODUCT # : CL-741C-T-RC**

•Path Lights

• Solid Copper

**Mounting Pedestals**

- CX-601-BK 1" PVC Mounting Pedestal, 1/2" NPT, **Black**
- CX-601-VG 1" PVC Mounting Pedestal, 1/2" NPT, **Verde Green**
- CX-603-BK 3" PVC Mounting Pedestal, 1/2" NPT Female Brass Hub on top, **Black**
- CX-603-VG 3" PVC Mounting Pedestal, 1/2" NPT Female Brass Hub on top, **Verde Green**

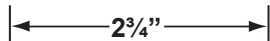


**CX-603-BK**

- CX-604-BK 1" PVC Adjustable Mounting Pedestal, 1/2" NPT, **Black**
- CX-621-BK 1" PVC Cap, 1/2" NPT, **Black**
- CX-621-VG 1" PVC Cap, 1/2" NPT, **Verde Green**
- CX-622-BK 2" PVC Cap, 1/2" NPT, **Black**
- CX-622-VG 2" PVC Cap, 1/2" NPT, **Verde Green**
- CX-624-BK 3" PVC Cap, 1/2" NPT Female Brass Hub, **Black**
- CX-624-VG 3" PVC Cap, 1/2" NPT Female Brass Hub, **Verde Green**

**Mounting Canopies**

- CX-705B-BR Brass Flat Canopy, 1/2" NPT, **Natural Brass**
- CX-709B-BR Brass Raised Canopy, 1/2" NPT, **Natural Brass**



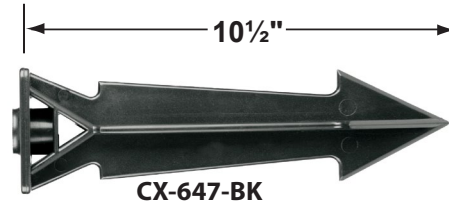
**CX-709B-BR**



**CX-705B-BR**

**Ground Spikes**

- CX-642-BK 8.5" ABS Spike, 1/2" NPT, **Black**
- CX-642-BZ 8.5" ABS Spike, 1/2" NPT, **Bronze**
- CX-643-BZ 8.5" ABS Spike, 1/2" NPT, **Bronze**



**CX-647-BK**

- CX-646-BK 8" ABS Spike, 1/2" NPT, **Black**
- CX-646-BR 8" ABS Spike, 1/2" NPT, **Natural Brass**
- CX-646-SS 8" ABS Spike, 1/2" NPT, **Stainless Steel**
- CX-647-BK 10.5" Heavy Duty ABS Spike, 1/2" NPT, **Black**

**Mounting Risers**

- CX-682C-RC 6" Copper Riser, 1/2" NPT Male/Female, **Raw Copper**
- CX-683C-RC 12" Copper Riser, 1/2" NPT Male/Female, **Raw Copper**
- CX-684C-RC 18" Copper Riser, 1/2" NPT Male/Female, **Raw Copper**
- CX-685C-RC 24" Copper Riser, 1/2" NPT Male/Female, **Raw Copper**



**CX-682C-RC 6"**



**CX-683C-RC 12"**



**CX-684C-RC 18"**



**CX-685C-RC 24"**

## PRODUCT # : CL-741C-T-RC

• Path Lights

• Solid Copper

### Special Lenses & Honeycomb Louvers

CX-238	MR-16 Snap-on holder, <b>Silver Plated</b>
CX-239	MR-16 honeycomb louver, <b>Black</b>
CX-240-AM	MR-16 color lens, <b>Amber</b>
CX-240-BL	MR-16 color lens, <b>Blue</b>
CX-240-GR	MR-16 color lens, <b>Green</b>
CX-240-RD	MR-16 color lens, <b>Red</b>
CX-240-YL	MR-16 color lens, <b>Yellow</b>
CX-241	MR-16 lens, <b>Linear Spread</b>
CX-242	MR-16 lens, <b>Frosted</b>
CX-243	MR-16 lens, <b>Prismatic</b>

• For MR-16 Lenses and Louvers, you will need the CX-238



### Cable Connectors

CX-854	Direct Burial Silicone Filled Wire Nut, <b>Tan</b>
CX-858	Speedy Cable Connector, Supply Cable up to 10-2, <b>Black</b>
CX-839	Universal cable connector, Supply cable up to 8-2, one/Pack <b>Black</b>

