

SPECIFICATION SHEET

PRODUCT # : CL-724B-AB

•Path Lights

•Solid Brass

Fixture Specifications:

Housing: Solid brass decorative lens holder

Stem: Solid brass tubing stem

Finish: **AB- Antique Bronze.** Natural toning process. AB finish will vary due to artistic process. Also available in **OC- Old Copper**

Lens: Glass tulip, available in WH- White

Socket: S.C. bayonet socket, with easy tool free lamp access.

Lamp: 12 volt, S.C Bayonet 27W Max. L-SCB-1141 (18W) standard. LED lamps available in 2W and 2.5W, with 2700K-warm white or 3000K-cool white color temperature. Xenon and halogen lamps also available.

Wiring:

Fixture is prewired with a 3ft, 18-2 direct burial cord. Wire connector sold separately. Universal connector (**CX-839**) or silicone filled wire nut (**CX-854**) is available from Corona Lighting.

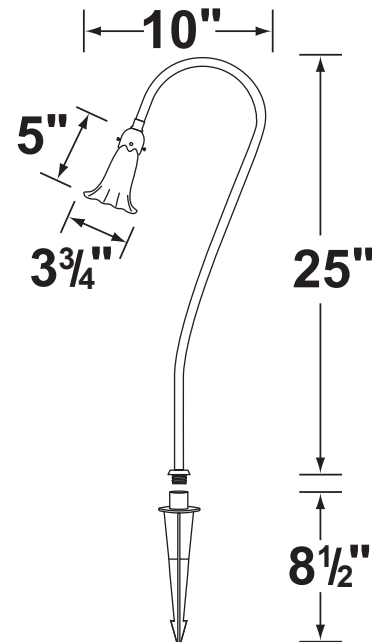
Mounting Spike: 8½" black ABS spike with ½" NPT threaded female hub.

Electrical Notes: A remote 12V transformer is required. Options are available from Corona Lighting.

Voltage range for 12V halogen lamps are 11V-12.5V
Voltage range for LED lamps are 8V-21V.
Proper grease/lubricant is suggested on threaded parts during installation process.

Warranty:

Limited lifetime warranty on fixture housing and stem against manufacturer's defects.



2W and 2.5W

AVAILABLE LED LAMPS (Corona LED lamps have a five (5) year limited warranty against manufacturer's defects)

LAMP NUMBER	WATTS	BEAM		COLOR & TEMP.	RATED HOURS	HALOGEN EQUIVALENT
		SPREAD	LUMEN			
L-EDBA-2W	2	360°	200	2700K	25,000	20 Watt
L-EDBA-2.5W	2.5	180°	240	2700K	25,000	35 Watt
L-EDBA-2W-3K	2	360°	210	3000K	25,000	20 Watt
L-EDBA-2.5W-3K	2.5	180°	250	3000K	25,000	35 Watt
L-EDBA-AM	2	360°	170	2000K	25,000	20 Watt

AVAILABLE HALOGEN LAMPS

LAMP NUMBER	WATTS	BEAM		COLOR & TEMP.	RATED HOURS
		SPREAD	LUMEN		
L-SCB-89	7		75	2700K	750
L-SCB-93	13		190	2700K	700
L-SCB-1141	18		265	2700K	1,500
L-SCB-1156	27		400	2700K	1,200

• AM- Amber color

For more additional Lamps, and accessories visit Coronalighting.com

JOB INFORMATION

TYPE:

DATE:

JOB NAME & ADDRESS:

PRODUCT #:

TOTAL QUANTITY:

LAMP TYPE & WATTAGE:

TRANSFORMER:

CONTRACTOR:

SPECIFIER:

• When ordering a halogen or xenon lamp add lamp number to the product number. If you are ordering LED lamps you should follow the format below:

• CL - product # - lamp - wattage
CL - 724B-AB - L-EDBA - 2W-3K

Example: CL-724B-AB-L-EDBA-2W-3K

• Corona Lighting reserves the right to make any change and/or improvement to the design and construction of this fixture without further notification.