



WWW.CORONALIGHTING.COM

1633 Staunton Ave
Los Angeles, CA 90021
TEL. (800) 727-9262 (800) 727-9957
FAX. (213) 747-4500 (213) 747-3234

ARCHITECTURAL GRADE SERIES

SPECIFICATION SHEET

E-Mail: sales@coronalighting.com

PRODUCT # : CL-716C-RC

•Path Lights

• Solid Copper

Fixture Specifications:

Housing & Shroud: Solid copper bell head (inside is white)

Stem: Solid copper tubing stem.

Finish: RC- Raw Copper
Raw Copper finish will age gradually.
Also available in AB, BR, and OC finishes

Lens: None.

Socket: S.C. bayonet socket, with easy tool free lamp access.

Lamp: 12 volt, S.C Bayonet 27W Max. L-SCB-1141 (18W) standard. LED lamps available in 2W and 2.5W, with 2700K-warm white or 3000K-cool white color temperature. Xenon and halogen lamps also available.

Wiring:

Fixture is prewired with a 3ft, 18-2 direct burial cord. Wire connector sold separately. Universal connector (CX-839) or silicone filled wire nut (CX-854) is available from Corona Lighting.

Mounting Spike:

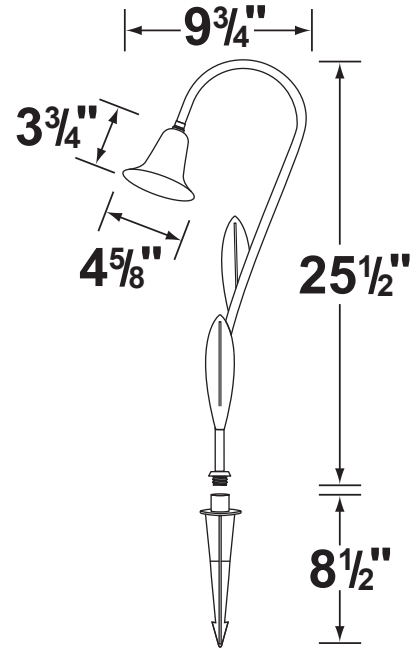
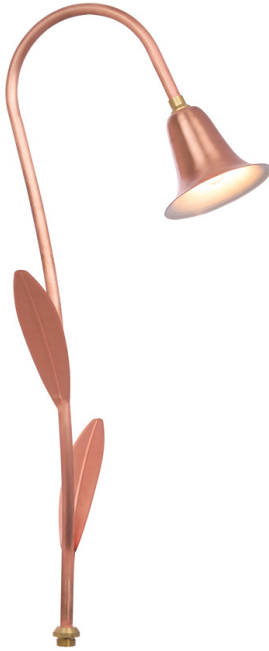
8½" Black ABS spike with ½" NPT threaded female hub

Electrical Notes:

A remote 12V transformer is required. Options are available from Corona Lighting. Voltage range for 12V halogen lamps are 11V-12.5V. Voltage range for LED lamps are 8V-21V. Proper grease/lubricant is suggested on threaded parts during installation process.

Warranty:

Limited lifetime warranty on fixture and stem against manufacturer's defects.



AVAILABLE LED LAMPS (Corona LED lamps have a five (5) year limited warranty against manufacturer's defects)

| LAMP NUMBER | WATTS | BEAM | | COLOR & TEMP. | RATED HOURS | HALOGEN EQUIVALENT |
|----------------|-------|--------|-------|---------------|-------------|--------------------|
| | | SPREAD | LUMEN | | | |
| L-EDBA-2W | 2 | 360° | 200 | 2700K | 25,000 | 20 Watt |
| L-EDBA-2.5W | 2.5 | 180° | 240 | 2700K | 25,000 | 35 Watt |
| L-EDBA-2W-3K | 2 | 360° | 210 | 3000K | 25,000 | 20 Watt |
| L-EDBA-2.5W-3K | 2.5 | 180° | 250 | 3000K | 25,000 | 35 Watt |
| L-EDBA-AM* | 2 | 360° | 170 | 2000K | 25,000 | 20 Watt |

AVAILABLE HALOGEN LAMPS

| LAMP NUMBER | WATTS | BEAM | | COLOR & TEMP. | RATED HOURS |
|-------------|-------|--------|-------|---------------|-------------|
| | | SPREAD | LUMEN | | |
| L-SCB-89 | 7 | | 75 | 2700K | 750 |
| L-SCB-93 | 13 | | 190 | 2700K | 700 |
| L-SCB-1141 | 18 | | 265 | 2700K | 1,500 |
| L-SCB-1156 | 27 | | 400 | 2700K | 1,200 |

*AM- Amber color

For more additional Lamps, and accessories visit Coronalighting.com

JOB INFORMATION

TYPE: DATE:

JOB NAME & ADDRESS:

PRODUCT #:

TOTAL QUANTITY:

LAMP TYPE & WATTAGE:

TRANSFORMER:

CONTRACTOR:

SPECIFIER:

• When ordering a halogen or xenon lamp add lamp number to the product number. If you are ordering LED lamps you should follow the format below:

• CL - product # - lamp - wattage

Example: CL-716C-RC-L-EDBA-2W-3K

CL - 716C-RC - L-EDBA - 2W-3K

• Corona Lighting reserves the right to make any change and/or improvement to the design and construction of this fixture without further notification.