

# SPECIFICATION SHEET

## PRODUCT # : CL-604

• Area Lights

• Aluminum

### Fixture Specifications:

**Housing:** Interlocking die-cast aluminum sections, assembled with three (3) stainless steel screws.

**Stem:** 6" Die-cast aluminum stem with 1/2" NPT on bottom.

**Finish:** Polyester UV powder coated, available in **BK-Black**, and **VG- Verde Green**.

**Lens:** Frosted tempered glass.

**Socket:** Top grade fixed ceramic bi-pin socket. Easy tool free lamp access.

**Lamp:** 12V, 12V, T3/T4, 50W max. Available in LED (2W & 2.5W) or without lamp. See Lamp guide below for more information.

**Wiring:** Fixture is prewired with a 3ft 18-2 direct burial cord. Wire connector sold separately. Universal connector (**CX-839**), or silicone filled wire nut (**CX-854**) are available from Corona Lighting.

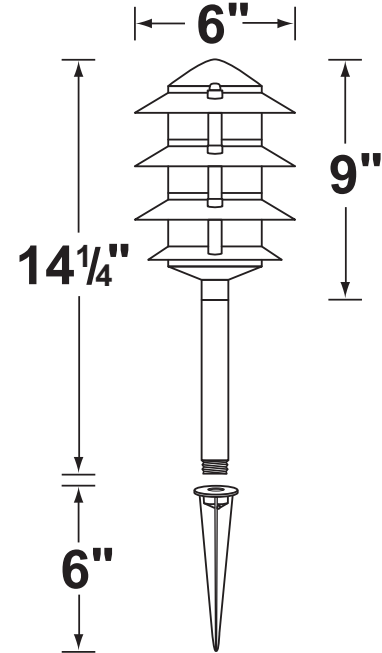
**Mounting Spike:** 6" cast aluminum spike with 1/2" NPT female hub

**Electrical Notes:** A remote 12V transformer is required. Options are available from Corona Lighting. Voltage range for LED lamps are 8V-21V. Proper grease/lubricant is suggested on threaded parts during installation process.

**Warranty:** Limited one (1) year warranty on fixture housing and stem against manufacturer's defects.



GR-Green Finish Shown



### AVAILABLE LED LAMPS (Corona LED lamps have a five (5) year limited warranty against manufacturer's defects)

| LAMP NUMBER    | WATTS | BEAM   |       | COLOR & TEMP. | RATED HOURS | HALOGEN EQUIVALENT |
|----------------|-------|--------|-------|---------------|-------------|--------------------|
|                |       | SPREAD | LUMEN |               |             |                    |
| L-EDT3-2W      | 2     | 360°   | 200   | 2700K         | 25,000      | 20 Watt            |
| L-EDT3-2.5W    | 2.5   | 180°   | 240   | 2700K         | 25,000      | 35 Watt            |
| L-EDT3-2W-3K   | 2     | 360°   | 210   | 3000K         | 25,000      | 20 Watt            |
| L-EDT3-2.5W-3K | 2.5   | 180°   | 250   | 3000K         | 25,000      | 35 Watt            |
| L-EDT3-AM*     | 2     | 360°   | 170   | 2000K         | 25,000      | 20 Watt            |

\* AM- Amber color

For more additional Lamps, and accessories visit [Coronalighting.com](http://Coronalighting.com)

### JOB INFORMATION

TYPE: \_\_\_\_\_ DATE: \_\_\_\_\_

JOB NAME & ADDRESS: \_\_\_\_\_

PRODUCT #:

TOTAL QUANTITY:

LAMP TYPE & WATTAGE:

TRANSFORMER:

CONTRACTOR:

SPECIFIER:

• When ordering LED lamp with a fixture your part number should follow the format below:

• CL - **product #** - **color** - **lamp** - **wattage**  
CL - 604 - GR - L-EDT3 - 2W-3K

Example: CL-604-GR-L-EDT3-2W-3K

• Corona Lighting reserves the right to make any change and/or improvement to the design and construction of this fixture without further notification.

# ACCESSORIES SHEET

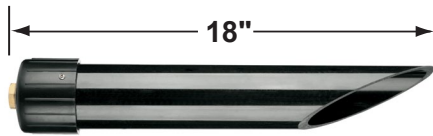
## PRODUCT # : CL-604

• Area Lights

• Aluminum

### Mounting Pedestals

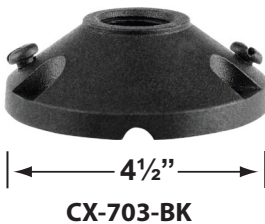
- CX-601-BK 1" PVC Mounting Pedestal, 1/2" NPT, **Black**
- CX-601-VG 1" PVC Mounting Pedestal, 1/2" NPT, **Verde Green**
- CX-603-BK 3" PVC Mounting Pedestal, 1/2" NPT Female Brass Hub on top, **Black**
- CX-603-VG 3" PVC Mounting Pedestal, 1/2" NPT Female Brass Hub on top, **Verde Green**



- CX-604-BK 1" PVC Adjustable Mounting Pedestal, 1/2" NPT, **Black**
- CX-621-BK 1" PVC Cap, 1/2" NPT, **Black**
- CX-621-VG 1" PVC Cap, 1/2" NPT, **Verde Green**
- CX-622-BK 2" PVC Cap, 1/2" NPT, **Black**
- CX-622-VG 2" PVC Cap, 1/2" NPT, **Verde Green**
- CX-624-BK 3" PVC Cap, 1/2" NPT Female Brass Hub, **Black**
- CX-624-VG 3" PVC Cap, 1/2" NPT Female Brass Hub, **Verde Green**

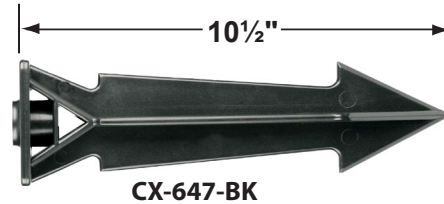
### Mounting Canopies

- CX-703 Aluminum tree mount canopy 1/2" NPT  
Finishes: **BK- Black, BZ- Bronze, GR- Green,**  
**GT- Granite, RT- Rust, VG- Verde Green,**  
**WH- White**



### Ground Spikes

- CX-642-BK 8.5" ABS Spike, 1/2" NPT, **Black**
- CX-642-BZ 8.5" ABS Spike, 1/2" NPT, **Bronze**
- CX-643-BZ 8.5" ABS Spike, 1/2" NPT, **Bronze**



- CX-646-BK 8" ABS Spike, 1/2" NPT, **Black**
- CX-646-BR 8" ABS Spike, 1/2" NPT, **Natural Brass**
- CX-646-SS 8" ABS Spike, 1/2" NPT, **Stainless Steel**
- CX-647-BK 10.5" Heavy Duty ABS Spike, 1/2" NPT, **Black**

### Mounting Risers

- CX-671 6" Aluminum Riser, 1/2" NPT Male/Female  
Finishes: **BK- Black, BZ- Bronze, GR- Green,**  
**GT- Granite, RT- Rust, VG- Verde Green,**  
**WH- White**
- CX-672 12" Aluminum Riser, 1/2" NPT Male/Female  
Finishes: **BK- Black, BZ- Bronze, GR- Green,**  
**GT- Granite, RT- Rust, VG- Verde Green,**  
**WH- White**
- CX-673 18" Aluminum Riser, 1/2" NPT Male/Female  
Finishes: **BK- Black, BZ- Bronze, GR- Green,**  
**GT- Granite, RT- Rust, VG- Verde Green,**  
**WH- White**



# ACCESSORIES SHEET

## PRODUCT # : CL-604

• Area Lights

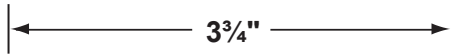
• Aluminum

### Mounting Brackets

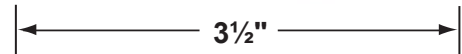
CX-700 Aluminum Bracket, 1/2" NPT  
Finishes: **BK**- Black, **BZ**- Bronze, **GR**- Green,  
**GT**- Granite, **RT**- Rust, **VG**- Verde Green,  
**WH**- White

CX-704 Aluminum Bracket, 1/2" NPT  
Finishes: **BK**- Black, **BZ**- Bronze, **GR**- Green,  
**GT**- Granite, **RT**- Rust, **VG**- Verde Green,  
**WH**- White

CX-700-BK



CX-704-BK



### Cable Connectors

CX-854 Direct Burial Silicone Filled Wire Nut, **Tan**

CX-858 Speedy Cable Connector, Supply Cable up to 10-2, **Black**

CX-839 Universal cable connector, Supply cable up to 8-2,  
one/Pack **Black**

