

SPECIFICATION SHEET

PRODUCT # : CL-361C-RC

• Step Light

• Steel & Copper

Fixture Specifications:

Housing: White powder coated steel mount box with S.C. Bayonet Socket

Faceplate: Stamped Copper in **RC**- Raw Copper. Also available in Aluminum: **BK**-Black, **BZ**-Bronze, **RT**- Rust or **WH**-White
Stamped Metal: **AB**- Antique Bronze, **GM**-Gun Metal, **OC**-Old Copper, or **SI**- Silver Plated

Lens: High impact white polycarbonate lens
Lens is secured and sealed to faceplate.

Socket: Top grade, fixed S.C. Bayonet socket.

Lamp: 12V, S.C. Bayonet, 18W max.
Available in LED (2W & 2.5W) or without lamp.
See the Lamp Guide below for more information.

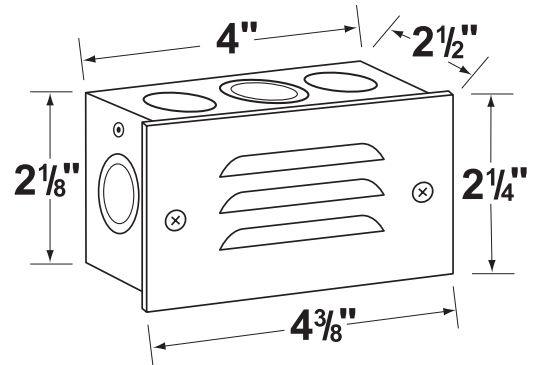
Gasket: Silicone gasket providing water-tight protection.

Wiring: Fixture comes prewired with a 12 inch direct burial cord. Wire connector sold separately. Silicone filled wire nut (**CX-854**) are available from Corona Lighting.

Mounting: Recessed box to mount into concrete, brick or masonry. Outdoor use only.

Electrical Notes: A remote 12V transformer is required. Options are available from Corona Lighting. Voltage range for LED lamps are 8V-21V.

Warranty: **AB, GM, OC, SI, and RC**- Limited lifetime warranty on fixture housing and faceplate against manufacturer's defects.
BK, BZ, RT and WH- Five year warranty on fixture housing and faceplate against manufacturer's defects.



AVAILABLE LED LAMPS (Corona LED lamps have a five (5) year limited warranty against manufacturer's defects)

JOB INFORMATION

LAMP NUMBER	WATTS	BEAM		COLOR & TEMP.	RATED HOURS	HALOGEN EQUIVALENT
		SPREAD	LUMEN			
L-EDBA-2W	2	360°	200	2700K	25,000	20 Watt
L-EDBA-2.5W	2.5	180°	240	2700K	25,000	35 Watt
L-EDBA-2W-3K	2	360°	210	3000K	25,000	20 Watt
L-EDBA-2.5W-3K	2.5	180°	250	3000K	25,000	35 Watt
L-EDBA-AM*	2	360°	170	2000K	25,000	20 Watt

TYPE: _____ DATE: _____

JOB NAME & ADDRESS: _____

PRODUCT #: _____

TOTAL QUANTITY: _____

LAMP TYPE & WATTAGE: _____

TRANSFORMER: _____

CONTRACTOR: _____

SPECIFIER: _____

*AM- Amber color
For more additional Lamps, and accessories visit Coronalighting.com

• If you are ordering LED lamps you should follow the format below:

• CL - **product #** - **color** - **lamp** - **wattage**
CL - **361C** - **RC** - **L-EDBA** - **2W-3K**

Example: CL-361C-RC-L-EDBA-2W-3K

• Corona Lighting reserves the right to make any change and/or improvement to the design and construction of this fixture without further notification.

PRODUCT # : CL-361C-RC

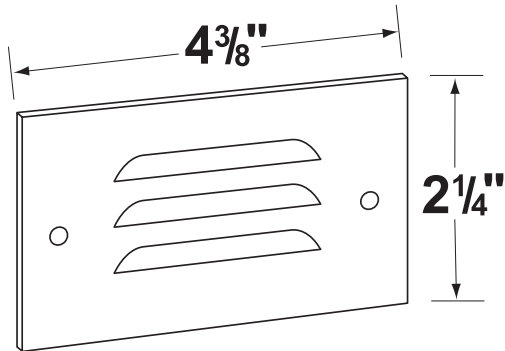
• Step Light

• Steel & Copper

Faceplates

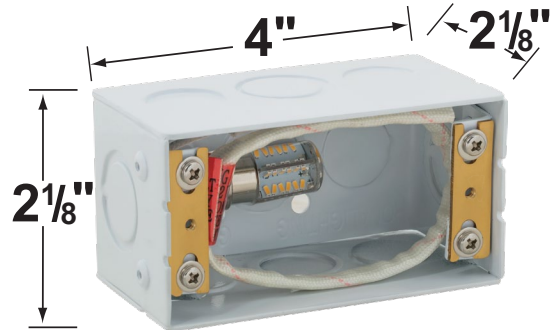
CX-873C-RC Copper, 3 louver faceplate with white acrylic lens.

Stamped Copper in **RC**- Raw Copper.
Also available in Aluminum: **BK**-Black, **BZ**-Bronze,
RT- Rust or **WH**-White
Stamped Metal: **AB**- Antique Bronze, **GM**-Gun
Metal, **OC**-Old Copper, or **SI**- Silver Plated



Mount Box

CX-731 Steel Mount Box, **No Lamp**



Lamp not included. Shown for demonstration.

Cable Connector

CX-854 Direct Burial Silicone Filled Wire Nut, Tan

