

# SPECIFICATION SHEET

## PRODUCT # : CL-360C-RC

• Step Light

• Steel & Brass

### Fixture Specifications:

**Housing:** White powder coated steel mount box with S.C. bayonet socket.

**Faceplate:** Stamped copper in **RC**- Raw Copper. Also available in aluminum: **BK**-Black, **BZ**-Bronze, **RT**- Rust or **WH**-White  
 Stamped Metal: **AB**- Antique Bronze, **GM**-Gun Metal, **OC**-Old Copper, or **SI**- Silver Plated.

**Lens:** High impact white polycarbonate

**Socket:** Top grade fixed SC bayonet socket

**Lamp:** 12V, S.C. Bayonet, 18W max. Available in LED (2W & 2.5W) or without lamp. See the Lamp Guide below for more information.

**Gasket:** Silicone gasket providing water-tight protection.

**Wiring:**

Fixture comes prewired with a 12 inch direct burialcord. Wire connector sold seperately. Silicone filled wire nut (**CX-854**) are available from Corona Lighting.

**Mounting:**

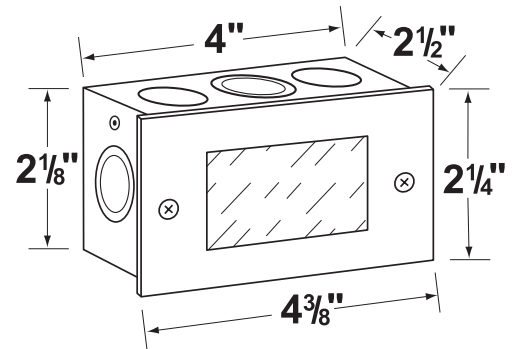
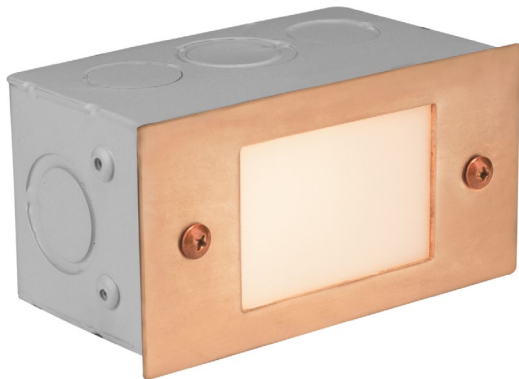
Recessed box to mount into concrete, brick or Masonry. Outdoor use only.

**Electrical Notes:**

A remote 12V transformer is required. Options are available from Corona Lighting. Voltage range for LED lamps are 8V-21V.

**Warranty:**

**AB, GM, OC, SI, and RC**- Limited lifetime warranty on fixture housing and faceplate against manufacturer's defects.  
**BK, BZ, RT and WH**- Five year warranty on fixture housing and faceplate against manufacturer's defects.



**AVAILABLE LED LAMPS** (Corona LED lamps have a five (5) year limited warranty against manufacturer's defects)

**JOB INFORMATION**

LAMP NUMBER	WATTS	BEAM		COLOR & TEMP.	RATED HOURS	HALOGEN EQUIVALENT
		SPREAD	LUMEN			
L-EDBA-2W	2	360°	200	2700K	25,000	20 Watt
L-EDBA-2.5W	2.5	180°	240	2700K	25,000	35 Watt
L-EDBA-2W-3K	2	360°	210	3000K	25,000	20 Watt
L-EDBA-2.5W-3K	2.5	180°	250	3000K	25,000	35 Watt
L-EDBA-AM*	2	360°	170	2000K	25,000	20 Watt

TYPE: \_\_\_\_\_ DATE: \_\_\_\_\_

JOB NAME & ADDRESS:

PRODUCT #:

TOTAL QUANTITY:

LAMP TYPE & WATTAGE:

TRANSFORMER:

CONTRACTOR:

SPECIFIER:

\*AM- Amber color

For more additional Lamps, and accessories visit [Coronalighting.com](http://Coronalighting.com)

• If you are ordering LED lamps you should follow the format below:

• **CL** - **product #** - **color** - **lamp** - **wattage**  
 CL - 360C - RC - L-EDBA - 2W-3K

Example: CL-360C-RC-L-EDBA-2W-3K

• Corona Lighting reserves the right to make any change and/or improvement to the design and construction of this fixture without further notification.

## PRODUCT # : CL-360C-RC

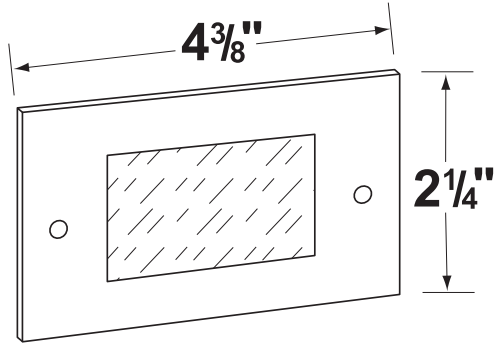
• Step Light

• Steel & Brass

### Faceplates

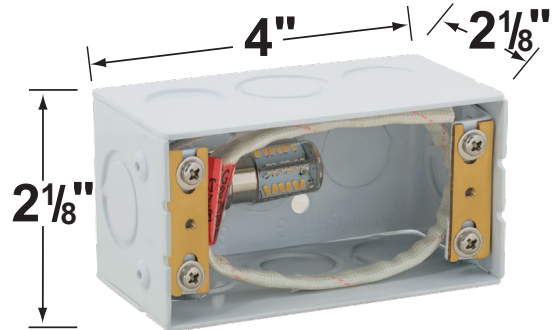
CX-872C-RC Copper, Lensed faceplate with white acrylic lens.

Stamped copper in **RC**- Raw Copper.  
Also available in aluminum: **BK**-Black, **BZ**-Bronze,  
**RT**- Rust or **WH**-White  
Stamped Metal: **AB**- Antique Bronze, **GM**-Gun  
Metal, **OC**-Old Copper, or **SI**- Silver Plated.



### Mount Box

CX-731 Steel Mount Box, **No Lamp**



Lamp not included. Shown for demonstration.

### Cable Connector

CX-854 Direct Burial Silicone Filled Wire Nut, **Tan**

