

SPECIFICATION SHEET

PRODUCT # : CL-354

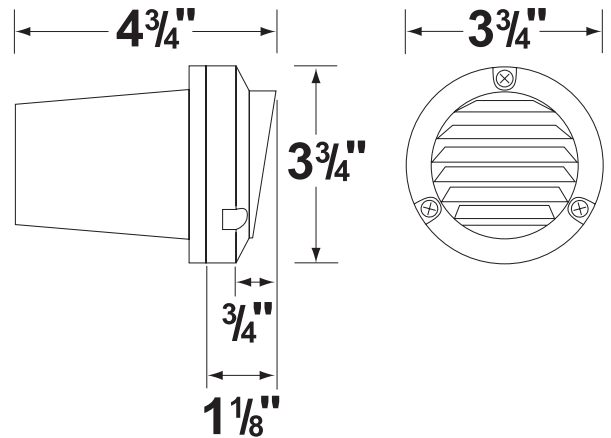
• Step Light

• Aluminum

Fixture Specifications:

Housing: Diecast aluminum
Finish: **WH- White.** Polyester UV powder coated
(BK finish is discontinued)
Lens: Frosted, tempered and heat resistant glass lens
Socket: Top grade fixed T5 wedge socket
Lamp: 12V T5, 18W max.
Available in 1.5W LED or without lamp.
See the Lamp Guide below for more information.
Mounting: Recessed mounted into concrete, brick or masonry
Outdoor use only.

Wiring: Fixture prewired with a 3ft direct burial cord. Wire connector sold separately. Silicone filled wire nut (**CX-854**) are available from Corona Lighting.
Gasket: Silicone "O" ring seals faceplate to housing providing weather tight protection.
Electrical Notes: A remote 12V transformer is required. Options are available from Corona Lighting. Voltage range for LED lamps is 11-12.5V.
Warranty: One year warranty providing protection against manufacturer's defects.



AVAILABLE LED LAMPS (Corona LED lamps have a five (5) year limited warranty against manufacturer's defects)

LAMP NUMBER	WATTS	BEAM		COLOR & TEMP.	RATED HOURS	HALOGEN EQUIVALENT
		SPREAD	LUMEN			
L-EDT5-1.5W	1.5	180°	120	2700K	12,000	10 Watt

JOB INFORMATION

TYPE: DATE:

JOB NAME & ADDRESS:

PRODUCT #:

TOTAL QUANTITY:

LAMP TYPE & WATTAGE:

TRANSFORMER:

CONTRACTOR:

SPECIFIER:

• If you are ordering LED lamps you should follow the format below:

• **CL** - **product #** - **lamp** - **wattage**
CL - 354-WH - L-EDT5 - 1.5W

Example: CL-354-WH-L-EDT5-1.5W

• Corona Lighting reserves the right to make any change and/or improvement to the design and construction of this fixture without further notification.

ACCESSORIES SHEET

E-Mail: sales@coronalighting.com

PRODUCT # : CL-354

• Step Light

• Aluminum

Cable Connector

CX-854 Direct Burial Silicone Filled Wire Nut, Tan

