



WWW.CORONALIGHTING.COM

1633 Staunton Ave
Los Angeles, CA 90021
TEL. (800) 727-9262 FAX. (800) 727-9957
(213) 747-4500 (213) 747-3234

ARCHITECTURAL GRADE SERIES

SPECIFICATION SHEET

E-Mail: sales@coronalighting.com

PRODUCT # : CL-353-SS

• Step Light

• Stainless Steel

Fixture Specifications:

Housing: Solid stainless Steel

Finish: **SS-** Stainless Steel
Also available in **BK-** Black, **BR-** Natural Brass, **BZ-** Bronze, and **WH-** White.

Lens: Frosted, tempered and heat resistant glass lens

Socket: Top grade fixed T5 wedge socket

Lamp: 12V, T5 wedge, 18W max. L-WDG-921 (18w) standard. 1W LED lamp in 3000K-cool white color temperature is available. T5 incadescent lamps may also be ordered. See below for more information.

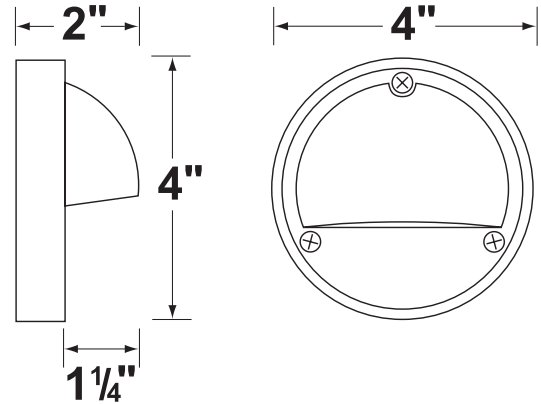
Wiring: Fixtures are prewired with a 3ft direct burial cord. Wire connector sold seperately. Universal connector (**CX-839**) is available from Corona Lighting.

Gasket: Silicone "O" ring sealing the lens to fixture housing, poviding 'water tight' protection..

Mounting: Surface mounted, mounting plate is included. Outdoor use only.

Electrical Notes: A remote 12V transformer is required. Options are available from Corona Lighting. Voltage range for incadescent and LED lamps is 11-12.5V. Proper grease/lubricant is suggested on threaded parts during installation process.

Warranty: Limited lifetime warranty, providing protection against manufacturer's defects.



AVAILABLE LED LAMPS (Corona LED lamps have a five (5) year limited warranty against manufacturer's defects)

LAMP NUMBER	WATTS	BEAM		COLOR & TEMP.	RATED HOURS	HALOGEN EQUIVALENT
		SPREAD	LUMEN			
L-EDT5-1.5W	1.5	180°	120	2700K	12,000	10 Watt

JOB INFORMATION

TYPE: _____ DATE: _____

JOB NAME & ADDRESS: _____

PRODUCT #: _____

TOTAL QUANTITY: _____

LAMP TYPE & WATTAGE: _____

TRANSFORMER: _____

CONTRACTOR: _____

SPECIFIER: _____

AVAILABLE INCADESCENT LAMPS

LAMP NUMBER	WATTS	BEAM		COLOR & TEMP.	RATED HOURS
		SPREAD	LUMEN		
L-WDG-904	6		50	2700K	5,000
L-WDG-906	8		75	2700K	1,000
L-WDG-912	12		150	2700K	1,000
L-WDG-921	18		265	2700K	1,000

• When ordering a halogen or xenon lamp add lamp number to the product number. If you are ordering LED lamps you should follow the format below:

• **CL** - **product #** - **lamp** - **wattage**
CL - 353-SS - L-EDT5 - 1.5W

Example: CL-353-SS-L-EDT5-1.5W

• Corona Lighting reserves the right to make any change and/or improvement to the design and construction of this fixture without further notification.