

SPECIFICATION SHEET

PRODUCT # : CL-352-SS

• Step Light

• Stainless Steel

Fixture Specifications:

Housing: Solid stainless steel

Finish: **SS-** Stainless Steel. Natural toning process. Polyester UV powder coated available in, **BK-** Black **BZ-** Bronze, **WH-** White.

Frosted, tempered and heat resistant glass lens

Socket: Top grade fixed T5 wedge socket

Lamp: 12V T5, 18W max. Available in 1.5W LED or without lamp. See the Lamp Guide below for more information.

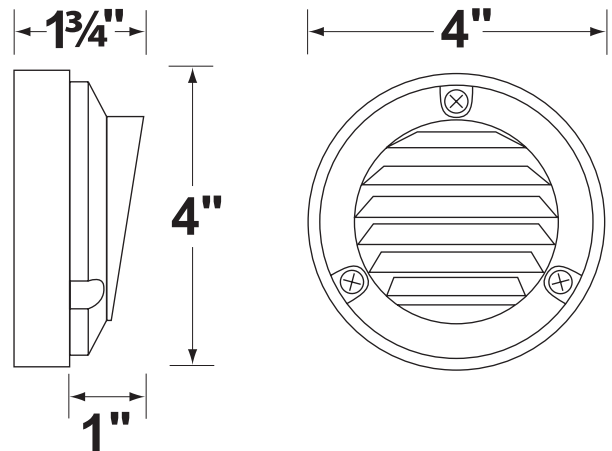
Wiring: Fixture prewired with a 3ft direct burial cord. Wire connector sold separately. Silicone filled wire nut (**CX-854**) are available from Corona Lighting.

Mounting: Surface mounted, mounting plate is included. Outdoor use only.

Gasket: Silicone "O" ring sealing the lens to fixture housing, providing weather tight protection..

Electrical Notes: A remote 12V transformer is required. Options are available from Corona Lighting. Voltage range for LED lamps is 11-12.5V.

Warranty: Limited lifetime warranty, providing protection against manufacturer's defects.



AVAILABLE LED LAMPS (Corona LED lamps have a five (5) year limited warranty against manufacturer's defects)

LAMP NUMBER	WATTS	BEAM		COLOR & TEMP.	RATED HOURS	HALOGEN EQUIVALENT
		SPREAD	LUMEN			
L-EDT5-1.5W	1.5	180°	120	2700K	12,000	10 Watt

JOB INFORMATION

TYPE: _____ DATE: _____

JOB NAME & ADDRESS: _____

PRODUCT #: _____

TOTAL QUANTITY: _____

LAMP TYPE & WATTAGE: _____

TRANSFORMER: _____

CONTRACTOR: _____

SPECIFIER: _____

• If you are ordering LED lamps you should follow the format below:

• **CL** - **product #** - **lamp** - **wattage**
CL - 352-SS - L-EDT5 - 1.5W

Example: CL-352-SS-L-EDT5-1.5W

• Corona Lighting reserves the right to make any change and/or improvement to the design and construction of this fixture without further notification.

PRODUCT # : CL-352-SS

•Step Light

•Stainless Steel

Cable Connector

CX-854 Direct Burial Silicone Filled Wire Nut, Tan



CX-854