



WWW.CORONALIGHTING.COM

1633 Staunton Ave  
 Los Angeles, CA 90021  
 TEL. (800) 727-9262 (800) 727-9957  
 FAX. (213) 747-4500 (213) 747-3234

ARCHITECTURAL GRADE SERIES

# SPECIFICATION SHEET

E-Mail: sales@coronalighting.com

## PRODUCT # : CL-342B-BR

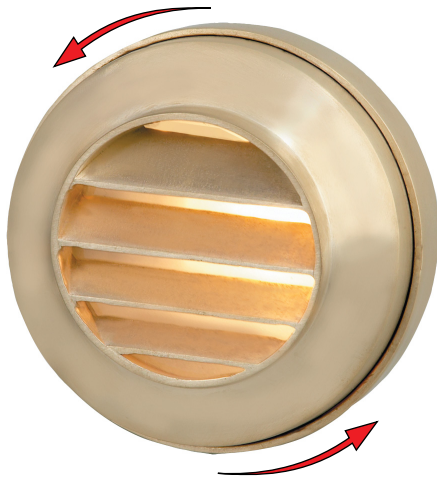
• Step Lights

• Cast Brass

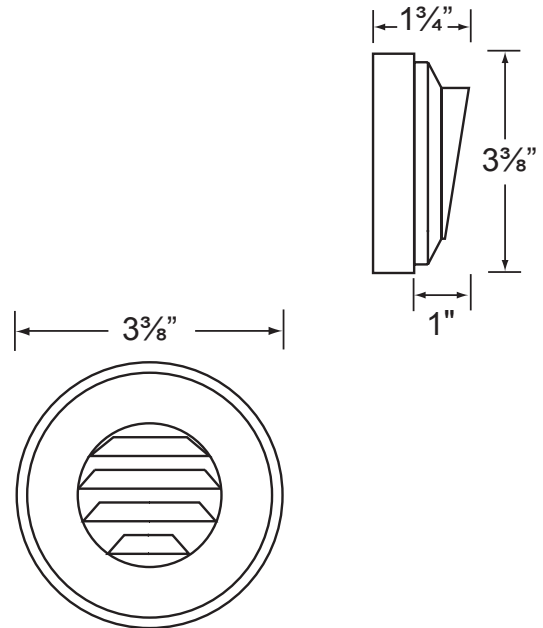
### Fixture Specifications:

**Housing:** Corrosion Resistant Cast Brass.  
**Faceplate:** Diecast solid brass, fitted to housing with silicone "O" ring gasket.  
**Finish:** **BR- Natural Brass.** Natural toning process.  
**Lens:** Frosted and heat resistant flat glass.  
**Socket:** Top grade fixed T5 wedge socket.  
**Lamp:** 12V, T5 wedge, 18W max. L-WDG-921 (18w) standard. 1.5W LED lamp is available. T5 Incadescent lamps may also be ordered. See below for more information.  
**Mounting:** Surface mounted, includes mounting plate.

**Wiring:** Fixture is prewired with a 18-2 SPT1-W direct burial cord. Wire connector available seperately. Universal connector (**CX-839**) or gel filled wire nut (**CX-854**) may be ordered to Corona Lighting.  
**Gasket:** Silicone "O" ring seals face plate to housing providing weather tight protection  
**Electrical Notes:** A remote 12V transformer required, may be ordered to Corona Lighting seperately. Operating voltage range for incadescent lamps is 11-12.5V, for LED lamps the range is 8-21V.  
**Warranty:** Limited lifetime warranty on fixture against manufacturer's defects.



Twist To Lock Function  
 Tool Free relamping.



### AVAILABLE LED LAMPS (Corona LED lamps have a five (5) year limited warranty against manufacturer's defects)

LAMP NUMBER	WATTS	BEAM		COLOR & TEMP.	RATED HOURS	HALOGEN EQUIVALENT
		SPREAD	LUMEN			
L-EDT5-1.5W	1.5	180°	120	2700K	12,000	10 Watt

### AVAILABLE INCADESCENT LAMPS

LAMP NUMBER	WATTS	BEAM		COLOR & TEMP.	RATED HOURS
		SPREAD	LUMEN		
L-WDG-904	6		50	2700K	5,000
L-WDG-906	8		75	2700K	1,000
L-WDG-912	12		150	2700K	1,000
L-WDG-921	18		265	2700K	1,000

### JOB INFORMATION

TYPE: \_\_\_\_\_ DATE: \_\_\_\_\_  
 JOB NAME & ADDRESS: \_\_\_\_\_  
 PRODUCT #: \_\_\_\_\_  
 TOTAL QUANTITY: \_\_\_\_\_  
 LAMP TYPE & WATTAGE: \_\_\_\_\_  
 TRANSFORMER: \_\_\_\_\_  
 CONTRACTOR: \_\_\_\_\_  
 SPECIFIER: \_\_\_\_\_

• When ordering a halogen or xenon lamp add lamp number to the product number. If you are ordering LED lamps you should follow the format below:

• **CL** - **product #** - **lamp** - **wattage**  
**CL - 342B-BR - L-EDT5 - 1.5W**

Example: CL-342B-BR-L-EDT5-1.5W

• Corona Lighting reserves the right to make any change and/or improvement to the design and construction of this fixture without further notification.