

# SPECIFICATION SHEET

## PRODUCT # : CL-335-AB

• Well Light

• Cast Brass Faceplate

### Fixture Specifications:

**Housing:** Stainless steel adjustable fixture, suspended inside a reversible PVC sleeve with both flat and angle-cut, options on either end.

**Wiring:** Fixture is prewired with a 5ft 18-2 SJT-W direct burial cord. Wire connector sold separately. Silicone filled wire nut (**CX-854**) is available from Corona Lighting.

**Faceplate:** Diecast brass louver-designed plate, tightened over housing. Drive-Over rated up to 3,000 LBS.

**Mounting:** In-ground direct burial or concrete encasement. Use gravel for proper drainage. Angle-cut end required when installed 3" above ground surface.

**Finish:** **AB- Antique Bronze**, faceplate Natural toning process. AB finish may vary due to artistic process

**Electrical Notes:** A remote 12V transformer is required. Options are available from Corona Lighting. Voltage range for LED lamps are 9V-24V. Proper grease/lubricant is suggested on threaded parts during installation process.

**Lens:** None.

**Socket:** Top grade adjustable (25° tilt), ceramic screw-in terminal

**Lamp:** 12V, Par 36 50W Max. Available in LED (6W, 10W & 13W) or without lamp. See Lamp Guide below for more information.

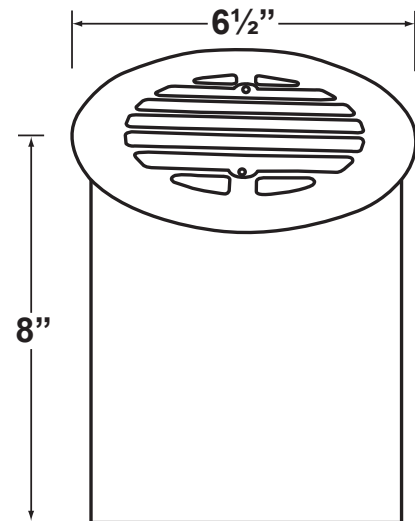
**Warranty:** Limited lifetime warranty on fixture only, against manufacturer's defects.



Drive-over rated for  
3,000 lbs



3.5W and 5W



### AVAILABLE LED LAMPS (Corona LED lamps have a five (5) year limited warranty against manufacturer's defects)

LAMP NUMBER	WATTS	BEAM		COLOR & TEMP.	RATED HOURS	HALOGEN EQUIVALENT
		SPREAD	LUMEN			
L-ED36-6W-FL	6	45° Flood	610	2700K	50,000	35 Watt
L-ED36-6W-WF	6	60° Wide Flood	610	2700K	50,000	35 Watt
L-ED36-10W-FL	10	45° Flood	800	2700K	50,000	50 Watt
L-ED36-10W-WF	10	60° Wide Flood	800	2700K	50,000	50 Watt
L-ED36-13W-FL	13	45° Flood	1150	2700K	50,000	75 Watt
L-ED36-13W-WF	13	60° Wide Flood	1150	2700K	50,000	75 Watt

For more additional Lamps, and accessories visit [Coronalighting.com](http://Coronalighting.com)

### JOB INFORMATION

TYPE: DATE:

JOB NAME & ADDRESS:

PRODUCT #:

TOTAL QUANTITY:

LAMP TYPE & WATTAGE:

TRANSFORMER:

CONTRACTOR:

SPECIFIER:

• When ordering LED lamp with a fixture your part number should follow the format below:

• CL - product # - lamp - wattage - lamp angle

CL - 335-AB - L-ED16 - 5W - FL

Example: CL-335-AB-L-ED16-5W-FL

• Corona Lighting reserves the right to make any change and/or improvement to the design and construction of this fixture without further notification.

**PRODUCT # : CL-335-AB**

• Well Lights

• Cast Brass Faceplate

**Cable Connectors**

CX-854 Direct Burial Silicone Filled Wire Nut, Tan



**Faceplates**

CX-880B-AB Brass Louvered Coverplate

