

SPECIFICATION SHEET

PRODUCT # : CL-325-BK

• Well Lights

• Aluminum

Fixture Specifications:

Housing: Die-cast aluminum

Finish : Polyester UV powder coated, in **BK-Black**. Also available in **BR- Natural Brass**, and Composite housing in **NM- Black** finish.

Lens: Clear, tempered and heat resistant convex glass. Extra flat lens included.

Socket: Top grade ceramic bi-pin socket with retention clip.

Lamp: 12V, MR-16, 50W max. Available in LED (3.5W & 5W) or without lamp. See the Lamp Guide below for more information.

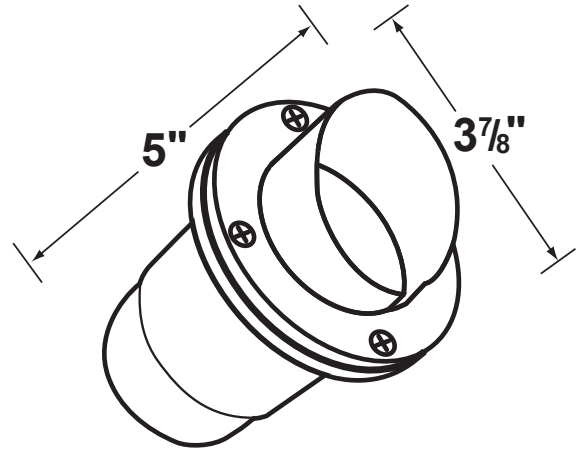
Gasket: Silicone "O" ring seals faceplate to housing providing weather tight protection.

Wiring: Fixture is prewired with a 3ft 18-2 SJT-W direct burial cord. Wire connector available separately. Silicone filled wire nut (**CX-854**) may be ordered to Corona Lighting.

Mounting: In-ground direct burial or concrete encasement.

Electrical Notes: A remote 12V transformer is required. Options are available from Corona Lighting. Voltage range for LED lamps are 9V-17V. Proper grease/lubricant is suggested on threaded parts during installation process.

Warranty: Limited one (1) year warranty on aluminum fixture against manufacturer's defects.



3.5W and 5W

AVAILABLE LED LAMPS (Corona LED lamps have a five (5) year limited warranty against manufacturer's defects)

LAMP NUMBER	WATTS	BEAM		COLOR & TEMP.	RATED HOURS	HALOGEN EQUIVALENT
		SPREAD	LUMEN			
L-ED16-3W-SP	3.5	15° Spot	270	2700K	50,000	25 Watt
L-ED16-3W-FL	3.5	45° Flood	270	2700K	50,000	25 Watt
L-ED16-3W-WF	3.5	60° Wide Flood	270	2700K	50,000	25 Watt
L-ED16-5W-SP	5	15° Spot	350	2700K	50,000	40 Watt
L-ED16-5W-FL	5	45° Flood	350	2700K	50,000	40 Watt
L-ED16-5W-WF	5	60° Wide Flood	350	2700K	50,000	40 Watt
L-ED16-COB5W-SP	5	15° Spot	450	2700K	50,000	50 Watt
L-ED16-COB5W-FL	5	38° Flood	450	2700K	50,000	50 Watt
L-ED16-COB5W-WF	5	60° Wide Flood	450	2700K	50,000	50 Watt
L-ED16-COB5W-SP3K	5	15° Spot	470	3000K	50,000	50 Watt
L-ED16-COB5W-FL3K	5	38° Flood	470	3000K	50,000	50 Watt
L-ED16-COB5W-WF3K	5	60° Wide Flood	470	3000K	50,000	50 Watt

■ Single color MR-16 LED available in AMBER, BLUE, GREEN, PURPLE, RED and VIOLET

JOB INFORMATION

TYPE: _____ DATE: _____

JOB NAME & ADDRESS: _____

PRODUCT #: _____

TOTAL QUANTITY: _____

LAMP TYPE & WATTAGE: _____

TRANSFORMER: _____

CONTRACTOR: _____

SPECIFIER: _____

• When ordering LED lamp with a fixture your part number should follow the format below:

• CL - product # - color - lamp - wattage - lamp angle

CL - 325 - BK - L-ED16 - 5W - FL

Example: CL-325-BK-L-ED16-5W-FL

• Corona Lighting reserves the right to make any change and/or improvement to the design and construction of this fixture without further notification.

ACCESSORIES SHEET

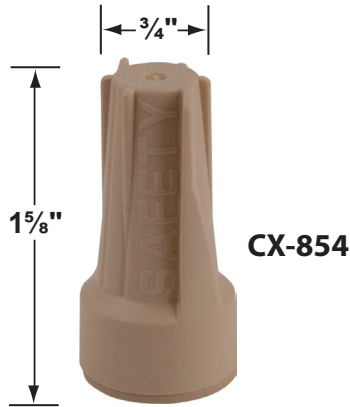
PRODUCT # : CL-325-BK

• Well Lights

• Aluminum

Cable Connector

CX-854 Direct Burial Silicone Filled Wire Nut, **Tan**



Special Lenses & Honeycomb Louvers

CX-238	MR-16 Snap-on holder, Silver Plated
CX-239	MR-16 honeycomb louver, Black
CX-240-AM	MR-16 color lens, Amber
CX-240-BL	MR-16 color lens, Blue
CX-240-GR	MR-16 color lens, Green
CX-240-RD	MR-16 color lens, Red
CX-240-YL	MR-16 color lens, Yellow
CX-241	MR-16 lens, Linear Spread
CX-242	MR-16 lens, Frosted
CX-243	MR-16 lens, Prismatic

For MR-16 Lenses and Louvers, you will need the CX-238

