

# SPECIFICATION SHEET

## PRODUCT # : CL-320-NM

• Underwater Light

• Composite

### Fixture Specifications:

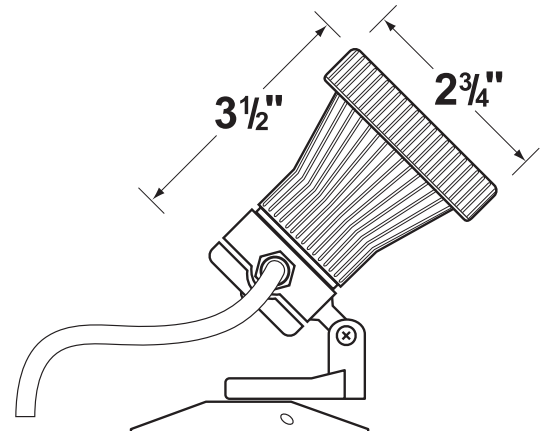
**Housing:** Injection molded fiberglass  
**Finish:** Polyester UV powder coated, in **BK- Black**  
**Lens:** Clear, tempered and heat resistant glass with interior reflector.  
**Socket:** Top grade fixed bi-pin socket  
**Lamp:** 12V, T3 halogen, 35W max. L-20T3 (20w) standard.  
**Gasket:** Silicone "O" ring sealing lens to housing, protecting fixture for underwater usage.  
**Wiring:** Fixture is prewired with a 30ft 18-2 SJT-W water resistant cord. Other cord lengths are also available.

**Mounting:** Fixture is fully adjustable to provide light aiming, mounted on a heavy duty stainless steel round base including in-out compartment for multiple connection of fixtures.

**Electrical Notes:** A remote 12V transformer is required. Options are available from Corona Lighting. Voltage range for 12V halogen lamps are 11V-12.5V

**Applications:** To be used in fountains, ponds, garden pools, and waterfalls. Do not use in swimming pools, or spas.

**Warranty:** Limited one (1) year warranty on fixture, against manufacturer's defects



### JOB INFORMATION

TYPE:

DATE:

JOB NAME & ADDRESS:

PRODUCT #:

TOTAL QUANTITY:

LAMP TYPE & WATTAGE:

TRANSFORMER:

CONTRACTOR:

SPECIFIER: