

CL-221-GM

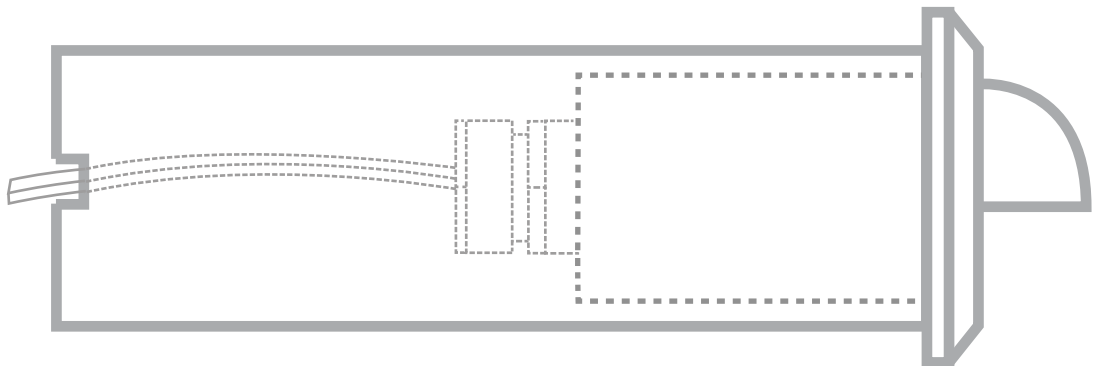
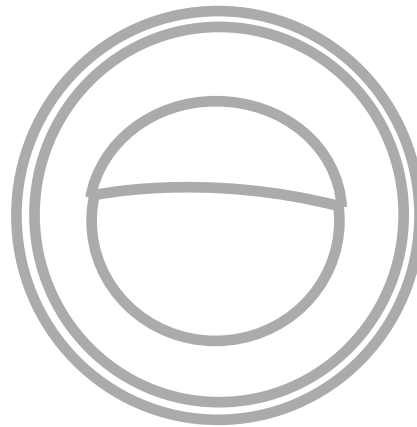
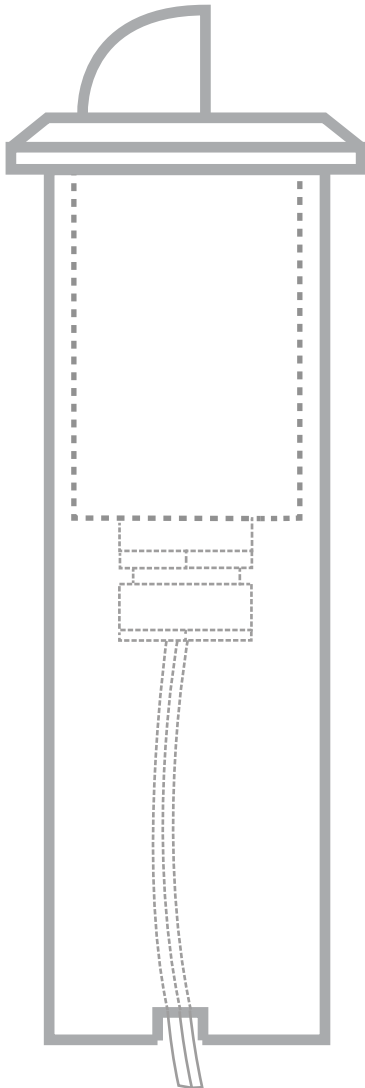
SPECIFICATION SHEETS

Fixture Configurations

Well Light2

Step Light3

Underwater Light4





WWW.CORONALIGHTING.COM

ARCHITECTURAL GRADE SERIES

1633 Staunton Ave
Los Angeles, CA 90021
TEL. (800) 727-9262 (800) 727-9957
FAX. (213) 747-4500 (213) 747-3234

SPECIFICATION SHEET

E-Mail: sales@coronalighting.com

PRODUCT # : CL-221-GM

• Well Light

• Cast Brass

Fixture Specifications:

Housing: Heavy duty corrosion resistant cast brass with PVC sleeve.

Gasket: Silicone "O" ring, seals faceplate to housing, providing weather tight protection.

Faceplate: Cast brass eyelid shape, fitted to housing with silicone "O" ring gasket.

Mounting: Recessed flush mount. In-ground direct burial or concrete encasement install. Best used in concrete, brick, or other masonry surfaces.

Finish: **GM- Gun Metal** Natural toning process. GM finish will vary due to artistic process. Also in **AB- Antique Bronze**, or **SI- Silver plated**.

Electrical Notes: Integrated CREE LED module is dimmable. A remote 12V magnetic transformer is required. Options are available from Corona Lighting. Not for use with electronic transformers.

Lens: Clear and heat resistant tempered flat glass.

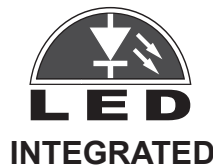
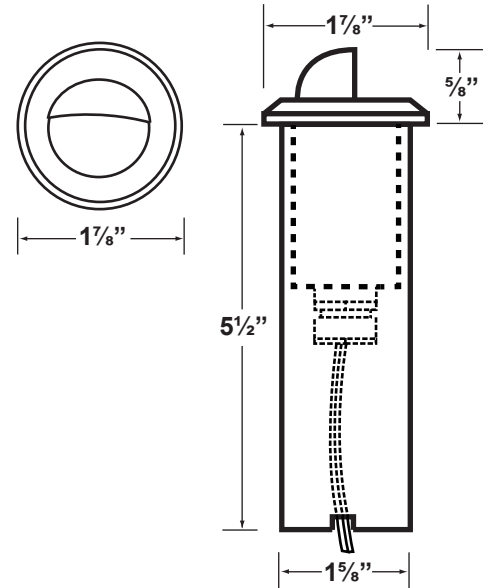
Lighting Source: Integrated CREE LED module, 3 watt, 210 lumens 120° beam spread, 3000K, 20W halogen equivalent. Rated hours: 30,000.

Voltage range for LED module is 8-18 Volt AC. Ambient Temperature: -4°F to 104°F. CRI: Ra > 80 Proper grease/lubricant is suggested on threaded parts during installation process.

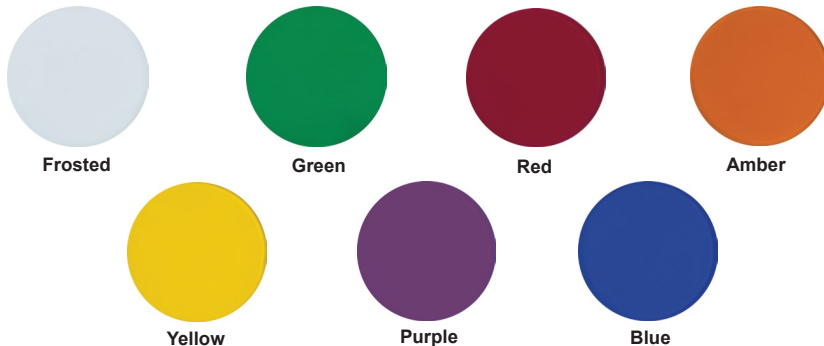
Wiring: Fixture is prewired with a 18-2 20ft SPT-1W direct burial cord, pre-stripped for easy connection. Wire connector sold separately. Silicone filled wire nut (**CX-854**) is available from Corona Lighting.

Applications: Best used for up lighting, grazing, or backlighting. Install any place where a tiny recessed fixture may fit.

Warranty: Limited lifetime warranty on fixture housing and faceplate against manufacturer's defects. Ten (10) year warranty on LED modules and components.



DESIGNER COLOR LENSES INCLUDED WITH THIS FIXTURE:



NOTE: Install additional O-ring (supplied) when color lenses are used.

JOB INFORMATION

TYPE: _____ DATE: _____
JOB NAME & ADDRESS: _____
PRODUCT #: _____
TOTAL QUANTITY: _____
LAMP TYPE & WATTAGE: _____
TRANSFORMER: _____
CONTRACTOR: _____
SPECIFIER: _____

• Corona Lighting reserves the right to make any change and/or improvement to the design and construction of this fixture without further notification.

SPECIFICATION SHEET

PRODUCT # : CL-221-GM

• Step Light

• Cast Brass

Fixture Specifications:

Housing: Heavy duty corrosion resistant cast brass with PVC sleeve.

Faceplate: Cast brass eyelid shape, fitted to housing with silicone "O" ring gasket.

Finish: **GM- Gun Metal** Natural toning process. GM finish will vary due to artistic process. Also in **AB- Antique Bronze**, or **SI- Silver plated**.

Lens: Clear and heat resistant tempered flat glass.

Lighting Source: Integrated CREE LED module, 3 watt, 210 lumens 120° beam spread, 3000K, 20W halogen equivalent. Rated hours: 30,000.

Wiring: Fixture is prewired with a 18-2 20ft SPT-1W direct burial cord, pre-stripped for easy connection. Wire connector sold separately. Silicone filled wire nut (**CX-854**) is available from Corona Lighting.

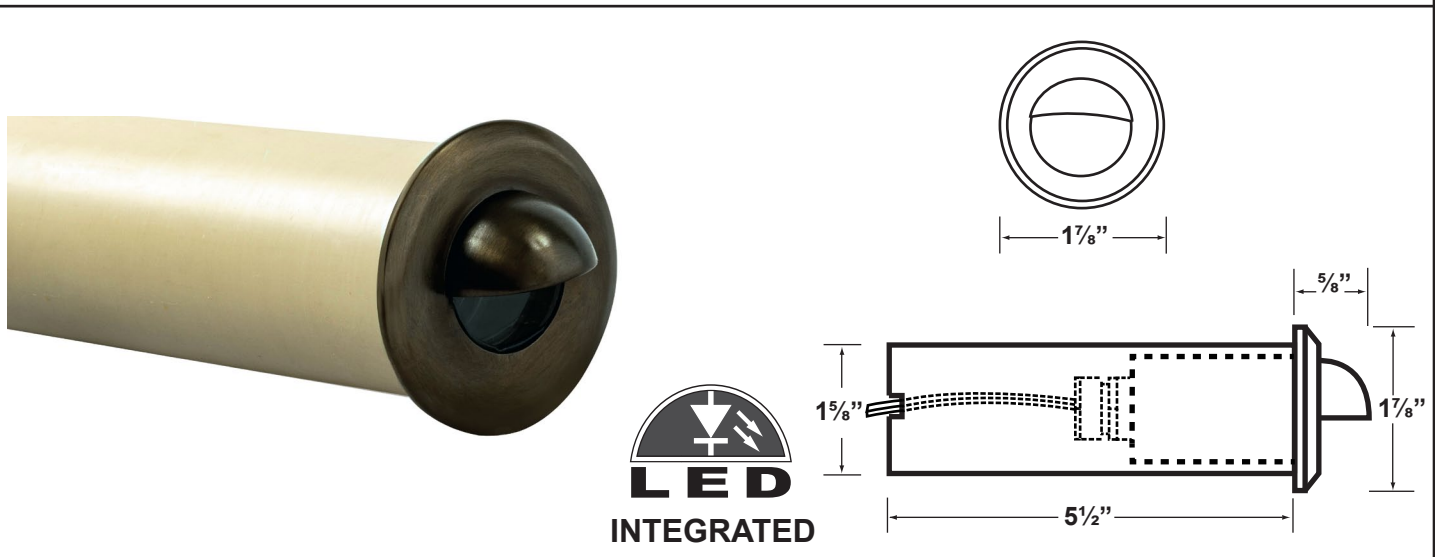
Gasket: Silicone "O" ring, seals faceplate to housing, providing weather tight protection.

Mounting: Recessed flush mount. Best used in concrete, brick, or other masonry surfaces.

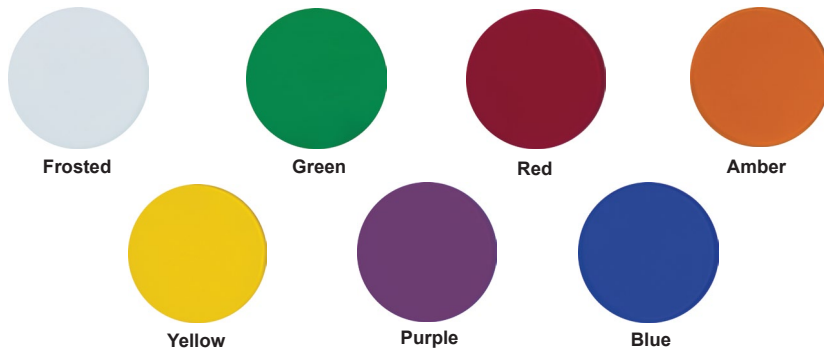
Electrical Notes: Integrated CREE LED module is dimmable. A remote 12V magnetic transformer is required. Options are available from Corona Lighting. Not for use with electronic transformers. Voltage range for LED module is 8-18 Volt AC. Ambient Temperature: -4°F to 104°F. CRI: Ra > 80 Proper grease/lubricant is suggested on threaded parts during installation process.

Applications: Seat walls, steps, stairs, decking, entry columns, outdoor living spaces, gazebos, or any place where a tiny recessed fixture may fit.

Warranty: Limited lifetime warranty on fixture housing and faceplate against manufacturer's defects. Ten (10) year warranty on LED modules and components.



DESIGNER COLOR LENSES INCLUDED WITH THIS FIXTURE:



NOTE: Install additional O-ring (supplied) when color lenses are used.

JOB INFORMATION

TYPE: _____ DATE: _____

JOB NAME & ADDRESS: _____

PRODUCT #: _____

TOTAL QUANTITY: _____

LAMP TYPE & WATTAGE: _____

TRANSFORMER: _____

CONTRACTOR: _____

SPECIFIER: _____

• Corona Lighting reserves the right to make any change and/or improvement to the design and construction of this fixture without further notification.

SPECIFICATION SHEET

PRODUCT # : CL-221-GM

• Underwater Light

• Cast Brass

Fixture Specifications:

Housing: Heavy duty corrosion resistant cast brass with PVC sleeve.

Faceplate: Cast brass eyelid shape, fitted to housing with silicone "O" ring gasket.

Finish: **GM- Gun Metal** Natural toning process. GM finish will vary due to artistic process. Also in **AB- Antique Bronze**, or **SI- Silver** plated.

Lens: Clear and heat resistant tempered flat glass.

Lighting Source: Integrated CREE LED module, 3 watt, 210 lumens 120° beam spread, 3000K, 20W halogen equivalent. Rated hours: 30,000.

Wiring: Fixture is prewired with a 18-2 20ft SPT-1W direct burial cord, pre-stripped for easy connection.

Gasket: Silicone "O" ring, seals faceplate to housing, providing weather tight protection.

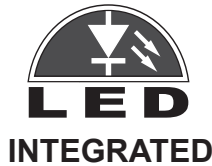
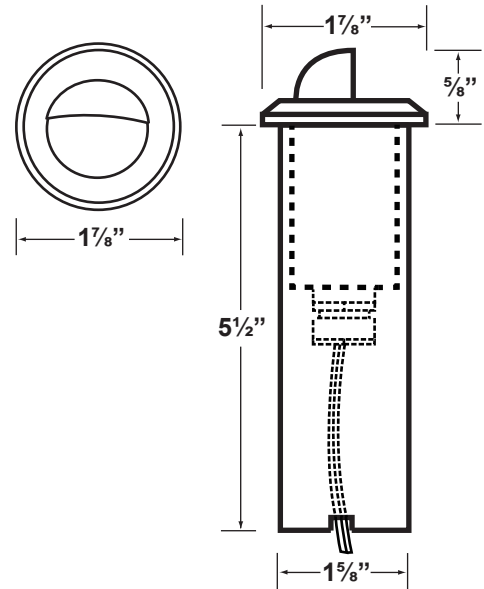
Mounting: Recessed flush mount.

Electrical Notes: Integrated CREE LED module is dimmable. A remote 12V magnetic transformer is required. Options are available from Corona Lighting. Not for use with electronic transformers. Voltage range for LED module is 8-18 Volt AC. Ambient Temperature: -4°F to 104°F. CRI: Ra > 80 Proper grease/lubricant is suggested on threaded parts during installation process.

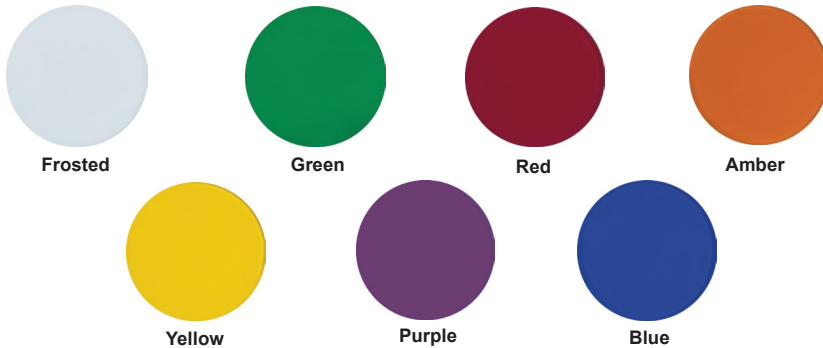
Applications: Fountains, water features, ponds, waterfalls, garden pools, or any place where a tiny recessed fixture may fit.

Only to be used in fresh water. **DO NOT** install in swimming pools, lakes, or spas.

Warranty: Limited lifetime warranty on fixture housing and faceplate against manufacturer's defects. Ten (10) year warranty on LED modules and components.



DESIGNER COLOR LENSES INCLUDED WITH THIS FIXTURE:



NOTE: Install additional O-ring (supplied) when color lenses are used.

JOB INFORMATION

TYPE: _____ DATE: _____

JOB NAME & ADDRESS: _____

PRODUCT #: _____

TOTAL QUANTITY: _____

LAMP TYPE & WATTAGE: _____

TRANSFORMER: _____

CONTRACTOR: _____

SPECIFIER: _____

• Corona Lighting reserves the right to make any change and/or improvement to the design and construction of this fixture without further notification.