
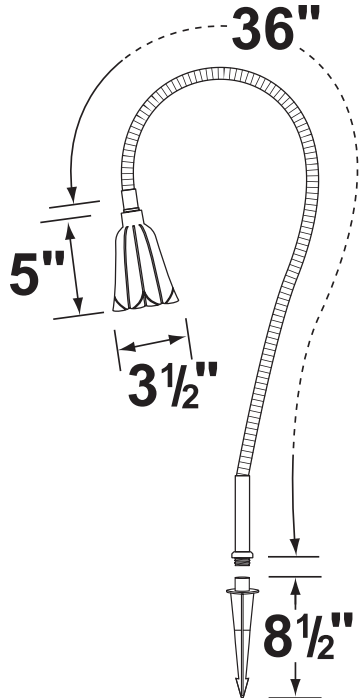



CL-803-F		 <p style="text-align: center;">CL-803-F</p>	
Product Specification Sheet			
HOUSING:	Die-cast aluminum with flexible steel black polyolefin shrink wrap arm, available in 12", 24", 36" length.		
FINISH:	Polyester UV powder coated, available in BK-Black .		
LAMP TYPE:	12V, MR-16 halogen, 50W max. See lamp guide for color MR-16 lamps.		
MOUNTING:	1/2" NPT on bottom, including ground spike.		 <p style="text-align: center;"> Tel: 800-727-9262 213-747-4500 Fax: 800-727-9957 213-747-3234 </p>
WIRING:	Fixture is prewired with a 3-foot pigtail of cable.		

- Fixture is supplied with 20W MR-16 lamp.
- Remote 12 Volt transformer is required.
- See transformers and accessories for variety of options and choices.
- To indicate an arm length, add "-BK-12", "-BK-24", "-BK-36" to the end of the product number.