


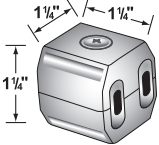
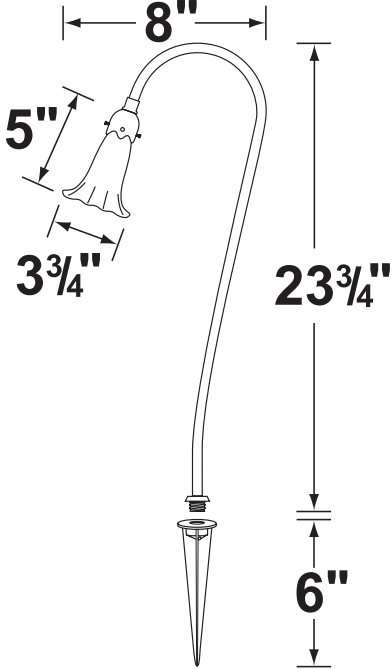



| | | | |
|-------------------|--|--|--|
| CL-704 | |  <p style="text-align: center;">CL-704</p>  |  <p style="text-align: center;">XENON HALOGEN AVAILABLE</p>  <p style="text-align: center;">CX-839 CORONA UNIVERSAL CONNECTOR AVAILABLE</p> |
| HOUSING: | Brass lens holder, steel stem | | |
| FINISH: | Polyester UV powder coated, available in BK -Black, GR -Green, VG -Verde Green. | | |
| LENS: | Glass tulip, available in AG -Amber Green, WH -White. When ordering, add the 2 letter color code of glass tulip to the end of the product number. | | |
| LAMP TYPE: | 12V, S.C. bayonet, 27W max. See lamp guide for xenon and halogen lamps with S.C. bayonet base. |  |  <p style="text-align: center;">CORONA Lighting</p> <p style="text-align: center;">WWW.CORONALIGHTING.COM</p> <p style="text-align: center;">Tel: 800-727-9262 213-747-4500</p> <p style="text-align: center;">:UI., \$\$!+&+!- -)+ 213-747-3234</p> |
| MOUNTING: | 1/2" NPT on bottom, including ground spike. See accessories & parts for optional mounting hardware. | | |
| WIRING: | Fixture is prewired with a 3-foot pigtail of direct burial cable. | | |

ÁØäcc~!^Áä•Á•~]]ä^äÁ , äc@ÁF ì Y ÁÜÈÔÈÁàæ^ [}^cÁ|æ {] ÉÁÁ
 ÁÜ^ { [c^ÁFGÁVolt transformer is required.

ÁÜ^^Ác!æ} •~ [! { ^!•Áæ} äÁæ&&^•• [!ä^•Á- [!Áçæ!ä^c^Á [-Á [] cá [] •Áæ} äÁ&@ [ä&^•É