
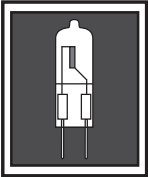
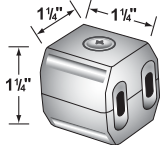
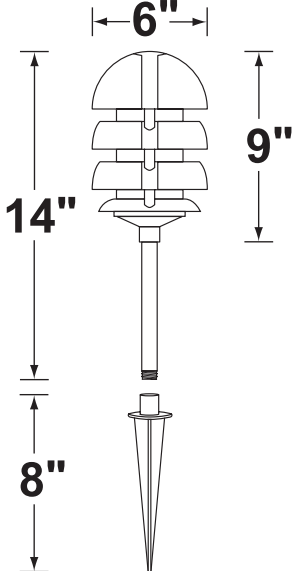


CL-644		 <p style="text-align: center;">CL-644</p>	<p style="text-align: center;">XENON</p>  <p style="text-align: center;">AVAILABLE</p>  <p style="text-align: center;">CX-839 CORONA UNIVERSAL CONNECTOR AVAILABLE</p>
Product Specification Sheet			
HOUSING:	Interlocking die-cast aluminum sections, assembled with 3 stainless steel screws.		
FINISH:	Polyester UV powder coated, available in BK-Black , GR-Green , (<i>VG color is discontinued</i>)		
LENS:	Frosted tempered glass with silicone gasket. Clear glass lens available.		
LAMP TYPE:	12V, T3/T4 halogen, 50W max. See lamp guide for T3 xenon lamps.		
MOUNTING:	6" cast aluminum stem with 1/2" NPT on bottom, including ground spike. See accessories & parts for optional mounting hardware. When ordering with 3" post top or pier mount base add "-PT" or "-PM" to the end of the product number respectively.		<p style="text-align: center;">CORONA Lighting</p> <p style="text-align: center;">WWW.CORONALIGHTING.COM</p> <p style="text-align: center;">Tel: 800-727-9262 213-747-4500</p> <p style="text-align: center;">Fax: 800-727-9957 213-747-3234</p>
WIRING:	Fixture is prewired with a 3-foot pigtail of direct burial cable.		

- Fixture is supplied with 20W T3 Halogen lamp.
- Remote 12 Volt transformer is required.
- See transformers and accessories for variety of options and choices.
- When ordering, add the 2 letter color code to the end of the product number.