

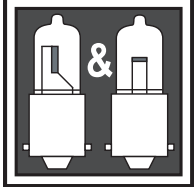
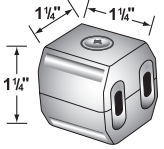
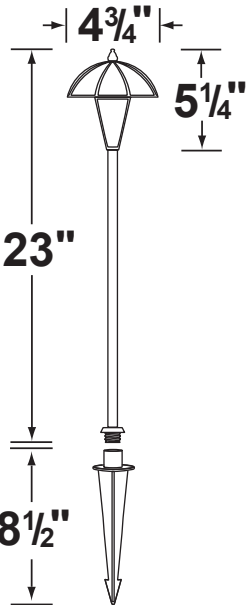



CL-617		 <p>CL-617</p> 	<p>XENON</p>  <p>HALOGEN AVAILABLE</p>  <p>CX-839 CORONA UNIVERSAL CONNECTOR AVAILABLE</p>
Product Specification Sheet			
HOUSING:	Die-cast aluminum.		
FINISH:	Polyester UV powder coated, available in BK -Black, GR -Green, VG -Verde Green.		
LAMP TYPE:	12V, S.C. bayonet, 27W max. See lamp guide for xenon and halogen lamps with S.C. bayonet base.		
MOUNTING:	Cast aluminum stem with 1/2" NPT on bottom, including ground spike. See accessories & parts for optional mounting hardware.		
WIRING:	Fixture is prewired with a 3-foot pigtail of direct burial cable.		
		 <p>WWW.CORONALIGHTING.COM</p> <p>Tel: 800-727-9262 213-747-4500</p> <p>Fax: 800-727-9957 213-747-3234</p>	

- Fixture is supplied with 18W S.C. bayonet lamp.
- Remote 12 Volt transformer is required.
- See transformers and accessories for variety of options and choices.
- When ordering, add the 2 letter color code to the end of the product number.