

SPECIFICATION SHEET

PRODUCT # : CL-342B-SI

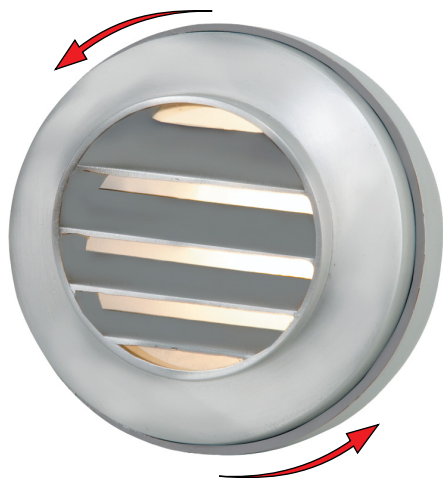
• Step Lights

• Cast Brass

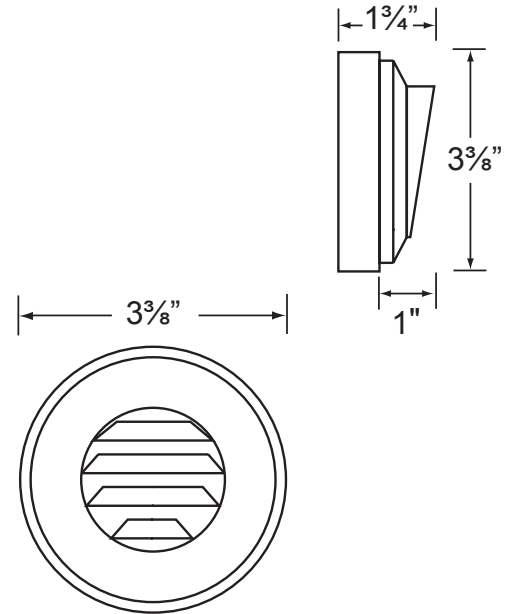
Fixture Specifications:

Housing: Corrosion Resistant Cast Brass.
Faceplate: Diecast solid brass, fitted to housing with silicone "O" ring gasket.
Finish: **SI- Silver Plated.** Natural toning process.
Lens: Frosted and heat resistant flat glass.
Socket: Top grade fixed T5 wedge socket.
Lamp: 12V, T5 wedge, 18W max. L-WDG-921 (18w) standard. 1.5W LED lamp is available. T5 Incadescent lamps may also be ordered. See below for more information.
Mounting: Surface mounted, includes mounting plate.

Wiring: Fixture is prewired with a 18-2 SPT1-W direct burial cord. Wire connector available seperately. Universal connector (**CX-839**) or gel filled wire nut (**CX-854**) may be ordered to Corona Lighting.
Gasket: Silicone "O" ring seals face plate to housing providing weather tight protection
Electrical Notes: A remote 12V transformer required, may be ordered to Corona Lighting seperately. Operating voltage range for incadescent lamps is 11-12.5V, for LED lamps the range is 8-21V.
Warranty: Limited lifetime warranty on fixture against manufacturer's defects.



Twist To Lock Function
Tool Free relamping.



AVAILABLE LED LAMPS (Corona LED lamps have a five (5) year limited warranty against manufacturer's defects)

LAMP NUMBER	WATTS	BEAM		COLOR & TEMP.	RATED HOURS	HALOGEN EQUIVALENT
		SPREAD	LUMEN			
L-EDT5-1.5W	1.5	180°	120	2700K	12,000	10 Watt

JOB INFORMATION

TYPE: _____ DATE: _____
 JOB NAME & ADDRESS: _____
 PRODUCT #: _____
 TOTAL QUANTITY: _____
 LAMP TYPE & WATTAGE: _____
 TRANSFORMER: _____
 CONTRACTOR: _____
 SPECIFIER: _____

AVAILABLE INCADESCENT LAMPS

LAMP NUMBER	WATTS	BEAM		COLOR & TEMP.	RATED HOURS
		SPREAD	LUMEN		
L-WDG-904	6		50	2700K	5,000
L-WDG-906	8		75	2700K	1,000
L-WDG-912	12		150	2700K	1,000
L-WDG-921	18		265	2700K	1,000

• When ordering a halogen or xenon lamp add lamp number to the product number. If you are ordering LED lamps you should follow the format below:

• **CL - product # - lamp - wattage**
CL - 342B-SI - L-EDT5 - 1.5W

Example: CL-342B-SI-L-EDT5-1.5W

• Corona Lighting reserves the right to make any change and/or improvement to the design and construction of this fixture without further notification.